



Rodney Industries

APRIL 2024

IRRIGATION

VALVES, PIPE & FITTINGS



TABLE OF CONTENTS



TABLE OF CONTENTS

Footvalves	PAGE 02	Aluminium Crosses	PAGE 32
Eco Check Valves	PAGE 06	Aluminium Bends	PAGE 33
Gate Check Valves	PAGE 07	Aluminium Starters and Ends	PAGE 34
Check Valves	PAGE 08	Floats and Pontoons	PAGE 38
Right Angle Discharge Valve	PAGE 08	Segmented Bends	PAGE 42
Eco Flap Valves	PAGE 09	Sweep Bends	PAGE 44
Gibault Joints	PAGE 09	Stub Flanges	PAGE 46
Strainers	PAGE 10	Maxi Stubs	PAGE 47
Valve Spare Parts	PAGE 12	Valve Spacers	PAGE 48
Goosenecks	PAGE 16	Shouldered Ends	PAGE 48
Flanged Pipe	PAGE 17	Nuts, Bolts and Gasket Kits	PAGE 49
Bends	PAGE 20	Moulded Bends and Tees	PAGE 50
Tees	PAGE 22	Junctions	PAGE 52
Tapers	PAGE 23	End Caps	PAGE 52
Flange Support Brackets	PAGE 25	Reducers	PAGE 53
Bore Caps	PAGE 25	Backing Rings	PAGE 55
Flanges and Gaskets	PAGE 26	Joiners	PAGE 60
Connectors	PAGE 29	Couplers	PAGE 61
Hose Ends	PAGE 25	Adaptors	PAGE 62
Hose Joiners, Tails and Clamps	PAGE 30	Weld Bells	PAGE 63
Aluminium Reducers	PAGE 30	Clamps and Gaskets	PAGE 64
Aluminium Tees	PAGE 30	Bauer Style Fittings	PAGE 65



Rodney **Industries**



**REAL PEOPLE
REAL PRODUCTS
REAL SOLUTIONS**

IRRIGATION

VALVES & STRAINERS



With a range that expands over 100 types and sizes, you are sure to find the Valve and Strainer to suit your requirements. If you don't ... we can make it!

- Large range of Valves available in sizes to suit your requirements.
- For use in a wide range of applications, including: ocean outlets, transfer ponds, channels.
- Hot dipped galvanized.
- Spare parts readily available.



FOOTVALVES



Please note:
Spring Loaded Code includes factory fitted spring.



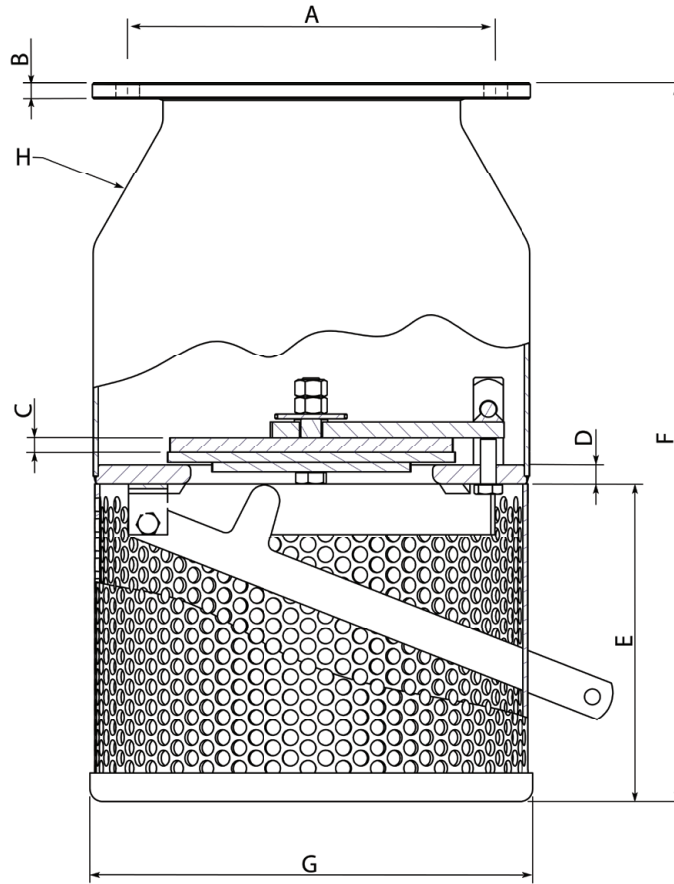
Standard Galvanized (Table D)

mm	Inches	Code	Price	Spring Load Code	Spring Load Price
80	3	6515	550.40	6515SL	621.40
100	4	6525	599.30	6525SL	689.90
125	5	6535	690.90	6535SL	737.10
150	6	6545	807.00	6545SL	877.40
200	8	6565	1,107.70		
250	10	6585	1,391.70		
300	12	6595	2,002.80		
350	14	6590	2,762.90		
375	15	6605	4,181.80		
400	16	6615	4,872.10		
450	18	6625	5,437.10		
500	20	6635	5,953.80		
600	24	6645	7,723.00		
660	26	6647	8,023.70		
750	30	6650	13,055.80		

Stainless Steel 316 (Table D)

mm	Inches	Code	Price	Spring Load Code	Spring Load Price
80	3	6515SS316	2,363.70	6515SS316SL	2,409.30
100	4	6525SS316	1,083.10	6525SS316SL	1,457.90
125	5	6535SS316	1,325.10	6535SS316SL	1,354.20
150	6	6545SS316	1,577.60	6545SS316SL	1,810.20
200	8	6565SS316	2,431.30		
250	10	6585SS316	4,578.40		
300	12	6595SS316	5,502.70		
350	14	6590SS316	P.O.A		
375	15	6605SS316	P.O.A		
400	16	6615SS316	P.O.A		
450	18	6625SS316	P.O.A		
500	20	6635SS316	P.O.A		
600	24	6645SS316	P.O.A		

GALVANISED FOOTVALVES



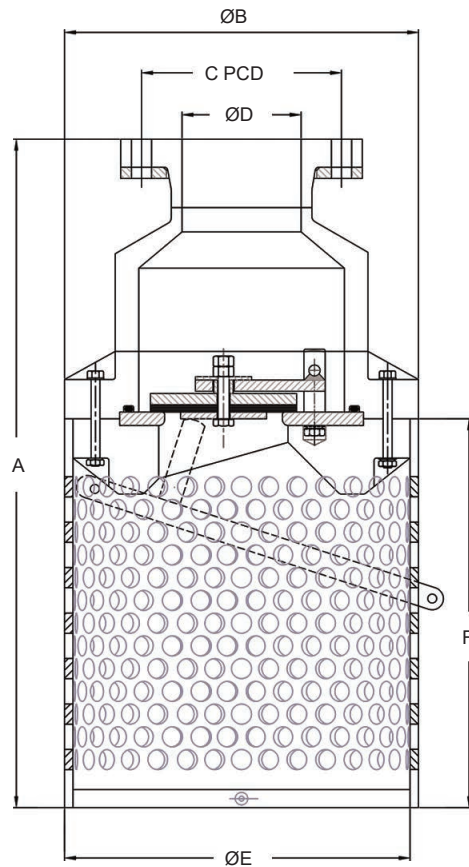
Size		A	B	C	D	E	F	G	H	Weight
mm	Inches	mm	mm	mm	mm	mm	mm	mm	mm	Approx kgs
80	3	146	10	10	12	178	372	188	3	10
100	4	178	10	10	12	178	393	220	3	11.7
125	5	210	10	10	12	203	448	258	3	16.2
150	6	235	10	10	12	203	459	283	3	18.5
175	7	260	10	10	12	230	500	310	2	20
200	8	292	12	12	16	278	595	340	3	30
250	10	356	12	12	16	312	676	405	3	42
300	12	406	12	12	16	364	776	455	3	53
350	14	470	16	16	20	408	897	525	3	82.5
375	15	495	16	16	20	432	920	550	2	86.5
400	16	521	16	16	20	470	975	585	2	98.4
450	18	584	20	20	25	505	1105	645	3	139
500	20	641	20	20	25	555	1180	710	3	178
600	24	756	20	20	25	665	1390	830	3	246
660	26	813	20	20	25	725	1510	875	3	280
750	30	927	25	20	32	820	1660	995	6	500

FOOTVALVES



Poly Housing G-10 Glass Resin & 316 Stainless Steel

Size		Code	Price	Spring Loaded Code	Spring Loaded Price
mm	inches				
100	4	FVPS100	2,490.90	FVPS100SL	2,545.70
125	5	FVPS125	2,940.60	FVPS125SL	3,010.60
150	6	FVPS150	3,171.20	FVPS150SL	3,313.80
200	8	FVPS200	4,376.90		
250	10	FVPS250	5,705.80		
300	12	FVPS300	6,530.00		



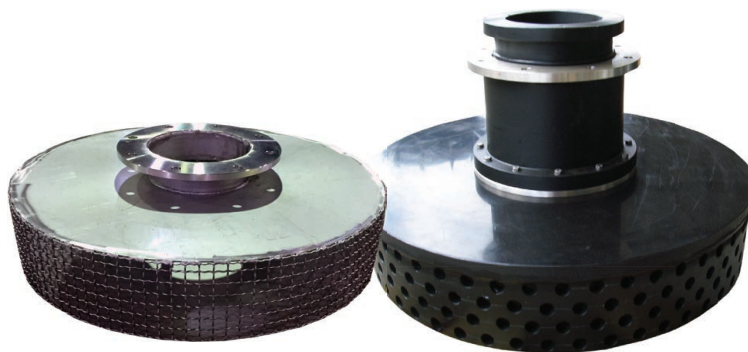
Footvalve	General Dimensions					
	A	ØB	C PCD	ØD	ØE	F
FVPS100	590	300	178 (4")	106	300	345
FVPS125	700	350	210 (5")	130	350	370
FVPS150	700	350	235 (6")	162	350	370
FVPS200	820	440	292 (8")	203	440	450
FVPS250	950	545	356 (10")	255	545	550
FVPS300	950	600	406 (12")	302	600	565

SQUAT STYLE FOOTVALVES



Squat Style Footvalves (Table D)

mm	Inches	DIA (mm)	Screen Height (mm)	Code	Price
100	4	600	155	6525SQ600	1,328.60
100	4	900	155	6525SQ900	1,419.70
125	5	600	170	6535SQ600	1,377.70
125	5	900	170	6535SQ900	1,503.60
150	6	600	170	6545SQ600	1,545.60
150	6	900	170	6545SQ900	1,671.40
200	8	600	170	6565SQ600	1,720.30
200	8	900	170	6565SQ900	1,846.10
200	8	1200	170	6565SQ1200	2,063.00
250	10	900	170	6585SQ900	2,216.80
250	10	1200	170	6585SQ1200	2,608.40
300	12	900	170	6595SQ900	2,426.60
300	12	1200	170	6595SQ1200	2,867.10



Also available in Stainless Steel and Polyethylene. Contact our sales office for further details.

ECO CHECK VALVES



Standard (Table D)

mm	Inches	Code	Price
80	3	6360	1,301.90
100	4	6370	1,664.30
125	5	6380	2,084.70
150	6	6390	2,088.70
200	8	6410	2,753.80
250	10	6420	4,604.30
300	12	6430	4,747.50
350	14	6440	7,349.90
375	15	6450	7,684.10
400	16	6460	7,900.00
450	18	6470	8,478.90
500	20	6480	9,703.50
600	24	6490	11,630.10
660	26	6500	12,619.90
660/750	26/30	6502	13,101.40
660/900	26/36	6504	13,853.90



With Bypass (Table D)

mm	Inches	Bypass Size	Code	Price
80	3	20 copper	6360BP	1,674.50
100	4	20 copper	6370BP	2,123.60
125	5	20 copper	6380BP	2,544.00
150	6	20 copper	6390BP	2,461.80
200	8	20 copper	6410BP	3,226.50
250	10	32 gal	6420BP	5,032.70
300	12	32 gal	6430BP	5,176.60
350	14	40 gal	6440BP	8,142.60
375	15	40 gal	6450BP	8,478.90
400	16	50 gal	6460BP	8,634.20
450	18	50 gal	6470BP	9,273.20
500	20	60 gal	6480BP	10,705.40
600	24	60 gal	6490BP	12,982.20
660	26	80 gal	6500BP	14,020.60
660/750	26/30	80 gal	6502BP	14,500.80
660/900	26/36	80 gal	6504BP	15,253.80



Valve complete with inspection hatch
Please let sales department know when ordering if you require the hatch. (For sizes 14" and up).

GATE CHECK VALVES



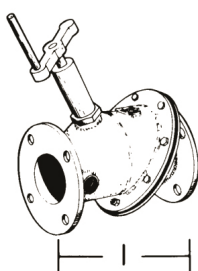
Standard (Table D)

mm	Inches	Code	Price
80	3	6815	1,727.50
100	4	6825	1,872.80
125	5	6835	2,137.20
150	6	6845	2,275.10
200	8	6865	2,877.50
250	10	6885	4,551.20
300	12	6895	5,621.80
350	14	6905	7,309.00
400	16	6925	8,059.50
450	18	6935	10,697.00
500	20	6945	12,079.50
600	24	6955	13,957.80
660	26	6960	17,088.70
750	30	6965	19,018.00
660/750	26/30	6502	13,101.40
660/900	26/36	6504	13,853.90



With Bypass (Table D)

mm	Inches	Bypass Size	Code	Price
80	3	20 copper	6815BP	2,066.50
100	4	20 copper	6825BP	2,238.60
125	5	20 copper	6835BP	2,560.10
150	6	20 copper	6845BP	2,683.30
200	8	20 copper	6865BP	3,279.00
250	10	32 gal	6885BP	4,894.20
300	12	32 gal	6895BP	6,326.60
350	14	40 gal	6905BP	8,212.10
400	16	50 gal	6925BP	8,376.90
450	18	50 gal	6935BP	10,939.70
500	20	65 gal	6945BP	13,489.70
600	24	65 gal	6955BP	15,447.30
660	26	80 gal	6960BP	17,850.60
750	30	80 gal	6965BP	19,632.00
660/750	26/30	80 gal	6502BP	14,500.80
660/900	26/36	80 gal	6504BP	15,253.80



Combination Gate Check Valves

mm	inches	L (mm)
80	3	295
100	4	295
125	5	320
150	6	343
200	8	495
250	10	550
300	12	630

CHECK VALVES



Standard (Table D)

mm	Inches	Code	Price
80	3	6655	1,332.80
100	4	6665	1,447.20
125	5	6675	1,683.30
150	6	6685	1,737.70
200	8	6705	2,515.70
250	10	6725	4,098.70
300	12	6735	5,137.10
350	14	6745	6,781.80
375	15	6755	6,939.30
400	16	6765	7,506.80
450	18	6775	8,797.90
500	20	6785	10,243.10
600	24	6795	12,186.50
660	26	6797	15,009.40
750	30	6805	17,160.80



With Bypass (Table D)

mm	Inches	Bypass Size	Code	Price
80	3	20 copper	6655BP	1,671.80
100	4	20 copper	6665BP	1,810.90
125	5	20 copper	6675BP	2,101.40
150	6	20 copper	6685BP	2,128.30
200	8	20 copper	6705BP	2,921.30
250	10	32 gal	6725BP	4,447.00
300	12	32 gal	6735BP	5,841.80
350	14	40 gal	6745BP	7,684.40
375	15	40 gal	6755BP	7,846.30
400	16	50 gal	6765BP	8,372.30
450	18	50 gal	6775BP	9,658.00
500	20	65 gal	6785BP	11,456.10
600	24	65 gal	6795BP	13,869.60
660	26	80 gal	6797BP	16,799.60
750	30	80 gal	6805BP	17,777.30



Right Angle Discharge Valve (Table D)

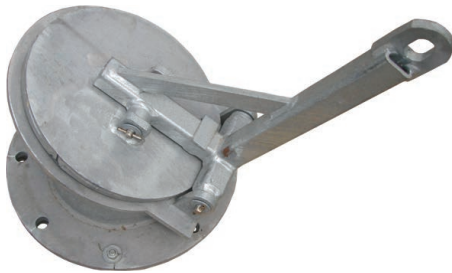
Inlet		Outlet		Code	Price
mm	Inches	mm	Inches		
50&65	2&2½	100&125	4&5	R22545	2,154.20
50&65	2&2½	125&150	5&6	R22556	2,533.10
65&80	2½&3	100&125	4&5	R25345	3,858.00
80&100	3&4	125&150	5&6	R3456	3,922.30
125&150	5&6	200	8	R568	4,161.70

ECO FLAP VALVES



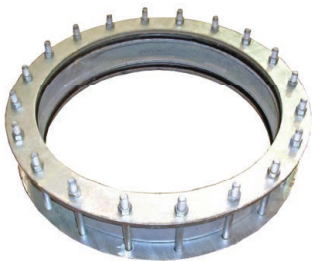
Standard Eco Flap Valve (Table D)

mm	Inches	Code	Price
350	14	ECO3303	3,770.70
400	16	ECO3307	3,923.20
450	18	ECO3312	4,401.80
500	20	ECO3315	4,695.90
600	24	ECO3322	5,804.40
660	26	ECO3323	6,301.10
750	30	ECO3325	8,048.50
800	32	ECO3330	9,439.40
900	36	ECO3335	11,324.50



Heavy Duty Flanged (Table D)

mm	Inches	Code	Price
80	3	3267F	704.20
100	4	3275F	726.40
125	5	3277F	980.10
150	6	3285F	982.80
200	8	3287F	2,056.30
250	10	3295F	3,483.50
300	12	3297F	3,832.50
350	14	3303F	4,916.10
375	15	3305F	6,033.80
400	16	3307F	5,202.80
450	18	3312F	5,757.20
500	20	3315F	6,932.70
600	24	3322F	7,648.30
750	30	3325F	11,321.80



Gibault Joint

mm	to suit OD	Code	Price
300	324	GJ300	1,361.40
400	407	GJ400	2,134.60
500	508	GJ500	2,413.30
600	640	GJ600	2,628.10
660	660	GJ660	2,694.50
750	762	GJ750	4,876.00
900	914	GJ900	6,536.90
1200	1219	GJ1200	11,447.40
1500	1520	GJ1500	14,310.00

STRAINERS



Suction Strainer (Perforated Sheet)

Size						Code	Price
mm	Inches	Mesh size	Open area	Dia.	H		
50	2	6.35x8.89	46%	90	200	7450	217.30
50	2	6.35x8.89	46%	175	120	7452	245.20
80	3	9.53x14.47	40%	200	400	7454	373.50

Hose Tail Strainer

mm	Inches	mesh	Code	Price
50	2	Punched	7265	235.00
80	3	Punched	7285	266.30
100	4	Punched	7295	273.70
125	5	Punched	7305	292.80
150	6	Punched	7315	335.60
200	8	Punched	7325	394.60

Flanged Strainer (Table D)

mm	Inches	mesh	Code	Price
80	3	Punched	7345	261.50
100	4	Punched	7355	284.00
125	5	Punched	7365	295.50
150	6	Punched	7375	378.90
200	8	Punched	7395	419.60
250	10	Weldmesh	7415	1,396.40
300	12	Weldmesh	7425	1,409.40
350	14	Weldmesh	7435	1,660.60

Leaf and Lint Strainers (Table D)

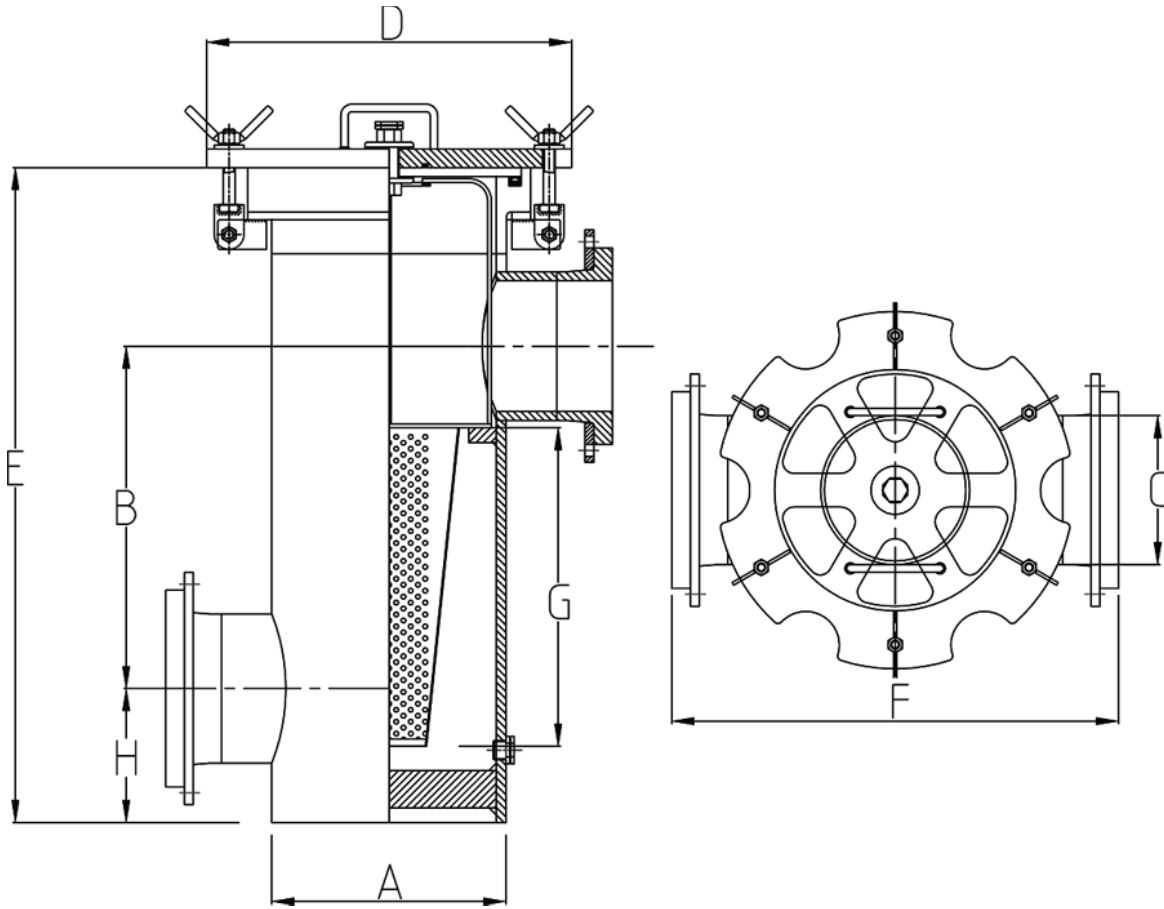
mm	Inches	Code	Price
80	3	7505	4,579.30
100	4	7515	4,707.00
125	5	7525	4,938.00
150	6	7535	5,469.00
200	8	7545	6,663.10

Leaf & Lint Suction Strainers (Table D)

Size	Flow LTR/SEC	Code	Price
LLS-010	10	LLS10	4,955.10
LLS-015	10<15	LLS15	4,616.40
LLS-030	15<30	LLS30	5,086.50
LLS-050	30>50	LLS50	5,455.40
LLS-075	50<75	LLS75	6,524.60
LLS-100	75<100	LLS100	8,194.00
LLS-710	TBA	LLS710	21,741.00

PLEASE NOTE: OUR RANGE OF LEAF & LINT SUCTION STRAINERS ARE NOT PRESSURE RATED.

POLY LEAF AND LINT STRAINER



Strainer	Flow	Inlet	Outlet	A	B	C	D	E	F	G	H
LLS-010	10	90	90	315/17	500	90	480	940	570	475	180
LLS-015	10<15	110	90/110	315/17	500	110	480	940	570	475	180
LLS-030	15<30	160	110/160	315/17	500	160	480	940	570	475	180
LLS-050	30<50	200	160/200	400/17	500	200	570	990	700	475	225
LLS-075	50<75	225	200/225	450/21	500	225	635	1015	760	475	225
LLS-100	75<100	250	225/250	500/21	560	250	680	1140	800	490	250
LLS-710	TBA	355/630	355/630	710/17	766	355	900	1375	1300	n/a	760

PLEASE NOTE: OUR RANGE OF LEAF & LINT SUCTION STRAINERS ARE NOT PRESSURE RATED.

VALVE SPARES



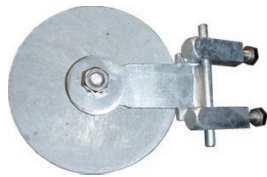
Gate Check Valve Spare Parts - Spindle Only

mm	Inches	Code	Price
80	3	41004	201.80
100	4	41002	210.40
125	5	41007	210.40
150	6	41006	211.90
200	8	41008	263.60



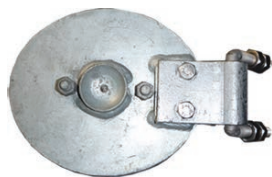
Gate Check Valve Spare Parts - Donkey Complete

mm	Inches	Code	Price
80	3	DON3	400.10
100	4	DON4	401.40
125	5	DON5	401.40
150	6	DON6	407.60
200	8	DON8	422.30



Footvalve Spare Parts - Clack Assembly Complete

mm	Inches	Code	Price
80	3	FCA3	185.30
100	4	FCA4	220.30
125	5	FCA5	234.30
150	6	FCA6	248.30
200	8	FCA8	348.90



Check Valve Spare Parts - Clack Assembly Complete

mm	Inches	Code	Price
80	3	GVCA3	332.20
100	4	GVCA4	336.90
125	5	GVCA5	351.70
150	6	GVCA6	378.00
200	8	GVCA8	589.80



Suction Strainers - Galvanized

Replacement for Rodney's Footvalve

mm	Inches	Mesh	Code	Price
80	3	Punched	7115	88.20
100	4	Punched	7125	95.20
125	5	Punched	7135	110.60
150	6	Punched	7145	141.40
200	8	Punched	7165	191.50

VALVE SPARES



Suction Strainers – Stainless

Replacement for Rodney's Footvalve

mm	Inches	Mesh	Code	Price
80	3	Punched	7115SS	275.10
100	4	Punched	7125SS	290.10
125	5	Punched	7135SS	316.60
150	6	Punched	7145SS	359.30
200	8	Punched	7165SS316	726.10



Check Valve Clack Rubber

mm	Inches	Code	Price
80	3	11085EPDM	17.30
100	4	11095EPDM	22.40
125	5	11105EPDM	24.80
150	6	11115EPDM	29.40
200	8	11135EPDM	44.60



Footvalve Clack Rubber

mm	Inches	Code	Price
80	3	11235EPDM	13.40
100	4	11245EPDM	19.80
125	5	11255EPDM	22.40
150	6	11265EPDM	27.40
200	8	11285EPDM	32.50
250	10	11305EPDM	49.70
300	12	11315EPDM	64.30
350	14	11325EPDM	70.20
375	15	11335EPDM	103.90
400	16	11345EPDM	110.20
450	18	11355EPDM	114.70
500	20	11365EPDM	120.30
600	24	11375EPDM	161.80
750	30	11385EPDM	248.50



GOOSENECKS & FLANGED PIPE



For range and quality, choose Rodney Industries' Goosenecks and Flanged Pipe.

- Large range of sizes available in both galvanised or polyethylene.
- Non standard lengths available on request.

GOOSENECKS

GOOSENECKS



Heavy Duty (Table D)

Degree	Size mm	c/l height mm	Inches	Code	Price
90°	80	600	3	8035	472.00
	100	750	4	8040	535.00
	125	900	5	8045	691.90
	150	900	6	8050	838.60
	200	900	8	8055	1,190.90
45°	80	600	3	8000	514.60
	100	750	4	8005	608.80
	125	900	5	8010	810.90
	150	900	6	8015	877.90
	200	900	8	8020	1,224.80



Goosenecks - Flanged

mm	Size		Code	Price	Code	Price
	(h)	(l)				
110	750	980	GN4511017	710.80	GN4511011	733.40
125	900	1150	GN4512517	801.00	GN4512511	827.50
140	900	1150	GN4514017	978.80	GN4514011	1,034.50
160	900	1200	GN4516017	1,068.90	GN4516011	1,107.40
200	900	1250	GN4520017	1,307.60	GN4520011	1,375.20
225	900	1250	GN4522517	1,441.60	GN4522511	1,519.80
250	1000	1400	GN4525017	2,172.40	GN4525011	2,323.50
280	1000	1400	GN4528017	2,714.80	GN4528011	2,885.80



1.6mm Wall Thickness (Table D)

Length	mm	Inches	Code	Price
900mm	100	4	8520	294.00
	125	5	8580	359.40
	150	6	8640	371.50
1800mm	100	4	8530	300.00
	125	5	8590	367.30
	150	6	8650	427.50
2700mm	100	4	8540	347.40
	125	5	8600	427.50
	150	6	8660	500.60
3600mm	100	4	8550	398.70
	125	5	8610	487.80
	150	6	8670	574.30
4500mm	100	4	8560	447.40
	125	5	8620	549.30
	150	6	8680	645.40
5500mm	100	4	8570	500.60
	125	5	8630	616.60
	150	6	8690	727.60

FLANGED PIPE

2.0mm Wall Thickness (Table D)

Length	mm	Inches	Code	Price
900mm	200	8	8880	521.00
	250	10	9000	716.80
	300	12	9055	837.20
	350	14	9170	1,173.10
	375	15	9300P	1,242.40
	400	16	9360	1,313.00
1800mm	200	8	8885	648.80
	250	10	9010	876.30
	300	12	9070	1,043.90
	350	14	9190	1,429.40
	375	15	9310P	1,481.90
	400	16	9370	1,568.80
2700mm	200	8	8895	778.00
	250	10	9020	1,035.70
	300	12	9090	1,251.80
	350	14	9210	1,681.90
	375	15	9320	1,675.90
	400	16	9390	1,825.80
3600mm	200	8	8905	905.80
	250	10	9030	1,195.30
	300	12	9110	1,461.10
	350	14	9230	1,934.20
	375	15	9330	1,945.00
	400	16	9410	2,081.50
4500mm	200	8	8915	1,029.00
	250	10	9040	1,355.40
	300	12	9130	1,665.70
	350	14	9250	2,189.20
	375	15	9340	2,204.80
	400	16	9430	2,212.90
5500mm	200	8	8925	1,178.50
	250	10	9050	1,535.20
	300	12	9150	1,896.60
	350	14	9270	2,469.30
	375	15	9350	2,473.90
	400	16	9450	2,624.10
	450	18	9570	3,085.00

4.0mm Wall Thickness (Table D)

Length	mm	Inches	Code	Price
900mm	80	3	8100	249.90
	100	4	8130	294.10
	125	5	8160	417.30
	150	6	8190	462.20
	200	8	8220	626.30
	1800mm	80	3	8105
100		4	8135	389.80
125		5	8165	533.90
150		6	8195	601.20
2700mm	200	8	8225	832.00
	80	3	8110	382.70
	100	4	8140	545.50
	125	5	8170	647.30
3600mm	150	6	8200	740.90
	200	8	8230	1,010.10
	80	3	8115	449.90
	100	4	8145	641.60
4500mm	125	5	8175	763.40
	150	6	8205	880.70
	200	8	8235	1,187.00
	80	3	8120	517.30
5500mm	100	4	8150	739.70
	125	5	8180	879.40
	150	6	8210	1,021.00
	200	8	8240	1,365.30
5500mm	80	3	8125	591.60
	100	4	8155	846.10
	125	5	8185	1,015.30
	150	6	8215	1,176.20
	200	8	8245	1,562.00

FLANGED PIPE

FLANGED PIPE



Suction Line - Straight - 6 Mtrs

Size mm	SDR17		SDR11	
	Code	Price	Code	Price
90	FP609017	353.10	FP609011	391.80
110	FP611017	450.50	FP611011	531.70
125	FP612517	573.00	FP612511	641.00
140	FP614017	623.70	FP614011	866.10
160	FP616017	784.90	FP616011	891.50
200	FP620017	1,134.00	FP620011	1,368.50
225	FP622517	1,353.80	FP622511	1,608.30
250	FP625017	1,483.20	FP625011	1,920.20
280	FP628017	1,926.90	FP628011	2,216.00
315	FP631517	2,028.10	FP631511	2,758.30
355	FP635517	2,989.00	FP635511	3,270.10

Suction Line - Straight - 12 Mtrs

Size mm	SDR17		SDR11	
	Code	Price	Code	Price
90	FP1209017	467.70	FP1209011	543.70
110	FP1211017	600.90	FP1211011	762.10
125	FP1212517	754.20	FP1212511	890.20
140	FP1214017	820.90	FP1214011	1,296.60
160	FP1216017	1,048.70	FP1216011	1,261.80
200	FP1220017	1,585.80	FP1220011	2,054.70
225	FP1222517	1,942.90	FP1222511	2,450.60
250	FP1225017	2,090.70	FP1225011	2,967.60
280	FP1228017	2,863.70	FP1228011	3,443.30
315	FP1231517	2,932.90	FP1231511	4,357.40
355	FP1235517	4,669.30	FP1235511	5,232.90



Suction Line complete with 45° Sweep Bend - 6 Mtrs

Size mm	SDR17		SDR11	
	Code	Price	Code	Price
90	FPS609017	396.60	FPS609011	430.90
110	FPS611017	545.00	FPS611011	648.50
125	FPS612517	736.60	FPS612511	834.60
140	FPS614017	894.90	FPS614011	1,180.20
160	FPS616017	1,020.10	FPS616011	1,404.80
200	FPS620017	1,492.90	FPS620011	1,820.20
225	FPS622517	1,722.30	FPS622511	2,115.60
250	FPS625017	2,180.60	FPS625011	P.O.A
280	FPS628017	2,556.30	FPS628011	P.O.A
315	FPS631517	3,111.10	FPS631511	P.O.A
355	FPS635517	4,068.80	FPS635511	P.O.A

Suction Line complete with 45° Sweep Bend - 12 Mtrs

Size mm	SDR17		SDR11	
	Code	Price	Code	Price
90	FPS1209017	521.90	FPS1209011	567.40
110	FPS1211017	719.20	FPS1211011	883.60
125	FPS1212517	978.70	FPS1212511	1,114.50
140	FPS1214017	1,172.60	FPS1214011	1,676.20
160	FPS1216017	1,366.20	FPS1216011	2,065.20
200	FPS1220017	2,046.30	FPS1220011	2,595.50
225	FPS1222517	2,405.30	FPS1222511	3,050.80
250	FPS1225017	3,033.40	FPS1225011	P.O.A
280	FPS1228017	3,636.50	FPS1228011	P.O.A
315	FPS1231517	4,490.70	FPS1231511	P.O.A
355	FPS1235517	5,819.10	FPS1235511	P.O.A

GALVANISED

STAINLESS & ALUMINIUM FITTINGS



For range and quality, choose Rodney Industries' fittings.

- Large range available including, bends, tees, tapers, joiners.
- We can modify most fittings to suit your requirements.



BENDS



General Purpose 4mm 45° Fixed Flange (Table D)

mm	Inches	Code	Price
80	3	1730	91.20
100	4	1735	134.70
125	5	1740	227.70
150	6	1750	248.80
200	8	1770	487.30



General Purpose 4mm 45° Loose Flange (Table D)

mm	Inches	Code	Price
80	3	2050	98.60
100	4	2060	142.80
125	5	2070	238.00
150	6	2080	263.00
200	8	2100	504.40

Heavy Duty min. 5mm 45° Fixed Flange (Table D)

HEAVY DUTY	mm	Inches	Code	Price
	80	3	1731	277.00
	100	4	1736	237.80
	125	5	1741	324.30
	150	6	1751	314.90
	200	8	1771	596.50
	250	10	1791	884.20
	300	12	1801	1,143.50

Heavy Duty min. 5mm 45° Loose Flange (Table D)

HEAVY DUTY	mm	Inches	Code	Price
	80	3	2051	310.10
	100	4	2061	278.40
	125	5	2071	368.90
	150	6	2081	384.30
	200	8	2101	689.60
	250	10	2121	1,049.00
	300	12	2131	1,332.70



General Purpose 4mm 90° Fixed Flange (Table D)

mm	Inches	Code	Price
80	3	1885	107.50
100	4	1890	161.00
125	5	1900	199.80
150	6	1910	331.70
200	8	1930	597.50



General Purpose 4mm 90° Loose Flange (Table D)

mm	Inches	Code	Price
80	3	2225	113.50
100	4	2230	150.90
125	5	2240	238.00
150	6	2250	309.20
200	8	2270	615.10

Heavy Duty min. 5mm 90° Fixed Flange (Table D)

HEAVY DUTY	mm	Inches	Code	Price
	80	3	1886	185.90
	100	4	1891	215.60
	125	5	1901	287.60
	150	6	1911	329.30
	200	8	1931	624.00
	250	10	1951	938.00
	300	12	1961	1,235.20

Heavy Duty min. 5mm 90° Loose Flange (Table D)

HEAVY DUTY	mm	Inches	Code	Price
	80	3	2226	218.70
	100	4	2231	253.40
	125	5	2241	332.60
	150	6	2251	395.10
	200	8	2271	708.90
	250	10	2291	1,096.30
	300	12	2301	1,416.60

BENDS



2mm Light Wall 45° Fixed Flange (Table D)

mm	Inches	Code	Price
225	9	1780	932.50
250	10	1790	1,156.90
300	12	1800	1,306.50
350	14	1810	1,875.30
375	15	1820	1,867.80
400	16	1830	2,012.00
450	18	1840	2,343.00



2mm Light Wall 45° Loose Flange (Table D)

mm	Inches	Code	Price
225	9	2110	995.00
250	10	2120	1,293.50
300	12	2130	1,363.50
350	14	2140	2,044.50
375	15	2150	1,978.70
400	16	2160	2,176.50
450	18	2170	2,769.80



2mm Light Wall 90° Fixed Flange (Table D)

mm	Inches	Code	Price
225	9	1940	1,156.90
250	10	1950	1,504.10
300	12	1960	1,656.40
350	14	1970	2,383.10
375	15	1980	2,290.70
400	16	1990	2,471.30
450	18	2000	2,867.60



2mm Light Wall 90° Loose Flange (Table D)

mm	Inches	Code	Price
225	9	2280	1,211.30
250	10	2290	1,618.30
300	12	2300	1,862.40
350	14	2310	2,553.50
375	15	2320	2,379.00
400	16	2330	3,166.10
450	18	2340	3,297.20

BENDS & TEES



* Denotes Lobster Back Style 2mm Wall

Medium Wall Loose Flange 90°

mm	Inches	Code	Price
80-40	3-1½	2380S	462.30
80-50	3-2	2385S	442.60
80-65	3-2½	2390S	530.90
100-40	4-1½	2410S	503.70
100-50	4-2	2420S	517.20
100-65	4-2½	2430S	557.40
100-80	4-3	2440S	572.40
125-65	5-2½	2450S	568.90
125-80	5-3	2460S	611.80
125-100	5-4	2465S	600.20
150-65	6-2½	2470S	677.70
150-80	6-3	2475S	714.40
150-100	6-4	2480S	753.00
150-125	6-5	2490S	730.70
200-125	8-5	2530S	911.50
200-150	8-6	2540S	844.30
250-150*	10-6*	2590S	1,257.50
250-200*	10-8*	2600S	1,676.30



1.6mm Light Wall (Table D)

mm	Inches	Code	Price
80-50	3-2 branch	6130	420.80
80-80	3-3	6135	418.10
100-80	4-3 branch	6140	454.00
100-100	4-4	6145	462.80
125-100	5-4 branch	6150	519.50
125-125	5-5	6155	553.40
150-100	6-4 branch	6160	569.80
150-150	6-6	6165	583.90
200-150	8-6 branch	6170	733.40
200-200	8-8	6175	807.10
250-250	10-10	6195	1,340.90
300-300	12-12	6205	1,506.00

Heavy Duty (Table D)

mm	Inches	Code	Price
80-80	3	6136	426.20
100-100	4	6146	504.80
125-125	5	6156	614.90
150-150	6	6166	744.20
200-200	8	6176	989.20
250-250	10	6196	1,355.80
300-300	12	6206	1,752.90
350-350	14	6219	3,250.20

HEAVY DUTY

TAPERS CONCENTRIC



Light Wall (Table D)

mm	Inches	Code	Price	Code with socket	Price
32-50	1¼-2	4985	91.50	4985S	317.10
32-80	1¼-3	4995	227.90	4995S	319.90
40-50	1½-2	5005	241.60	5005S	P.O.A
40-65	1½-2½	5015	333.40	5015S	P.O.A
40-80	1½-3	5025	245.50	5025S	338.00
40-100	1½-4	5035	257.90	5035S	350.40
50-65	2-2½	5075	260.60	5075S	P.O.A
50-80	2-3	5045	392.50	5045S	485.10
50-100	2-4	5055	265.40	5055S	357.20
50-125	2-5	5065	291.80	5065S	P.O.A
65-80	2½-3	5085	250.30	5085S	342.30
65-100	2½-4	5095	261.90	5095S	354.50
65-125	2½-5	5105	287.10	5105S	379.60
65-150	2½-6	5115	307.00	5115S	399.30
80-100	3-4	5125	301.50	5125S	392.50
80-125	3-5	5135	326.60	5135S	417.80
80-150	3-6	5145	346.30	5145S	438.80
80-200	3-8	5155	350.40	5155S	441.50
100-125	4-5	5165	275.60	5165S	367.40
100-150	4-6	5175	290.60	5175S	382.40
100-175	4-7	5185	338.00	5185S	P.O.A
100-200	4-8	5195	362.00	5195S	453.80
100-225	4-9	5205	427.30	5205S	P.O.A
125-150	5-6	5215	287.10	5215S	379.60
125-175	5-7	5285	348.30	5285S	P.O.A
125-200	5-8	5225	371.50	5225S	464.10
125-225	5-9	5235	444.30	5235S	P.O.A
125-250	5-10	5245	473.60	5245S	P.O.A
150-200	6-8	5255	381.10	5255S	473.60
150-225	6-9	5265	458.60	5265S	P.O.A
150-250	6-10	5275	527.90	5275S	P.O.A
175-200	7-8	5305	300.60	5305S	P.O.A
200-225	8-9	5315	517.70	5315S	P.O.A
200-250	8-10	5325	593.30	5325S	P.O.A
200-300	8-12	5335	666.10	5335S	P.O.A
250-300	10-12	5375	703.50	5375S	P.O.A



SGP General Purpose - 4mm Wall (min.) (Table D)

mm	Inches	Code	Price	Code with socket	Price
50-80	2-3	5045GP	116.70	5045GPS	145.20
50-100	2-4	5055GP	153.60	5055GPS	187.40
65-80	2½-3	5085GP	118.00	5085GPS	151.10
65-100	2½-4	5095GP	153.60	5095GPS	186.10
65-125	2½-5	5105GP	215.80	5105GPS	P.O.A
65-150	2½-6	5115GP	241.80	5115GPS	273.70
80-100	3-4	5125GP	155.00	5125GPS	187.40
80-125	3-5	5135GP	217.20	5135GPS	249.60
80-150	3-6	5145GP	238.60	5145GPS	272.30
100-125	4-5	5165GP	217.20	5165GPS	P.O.A
100-150	4-6	5175GP	255.50	5175GPS	289.80
100-200	4-8	5195GP	374.20	5195GPS	408.60
125-150	5-6	5215GP	254.20	5215GPS	288.50
125-200	5-8	5225GP	363.20	5225GPS	396.80
150-200	6-8	5255GP	371.50	5255GPS	404.60



Heavy Duty - 5mm Wall (min.) (Table D)

HEAVY DUTY	mm	inch	Code	Price	Code with socket	Price
	65-100	2½-4	5097	237.70	5097S	257.50
80-100	3-4	5127	254.70	5127S	P.O.A	
80-150	3-6	5147	277.10	5147S	291.30	
100-125	4-5	5167	300.90	5167S	319.80	
100-150	4-6	5177	337.40	5177S	349.80	
125-150	5-6	5217	352.60	5217S	386.40	
125-200	5-8	5227	481.50	5227S	482.90	
150-200	6-8	5257	509.30	5257S	567.10	
200-250	8-10	5327	761.20	5327S	650.60	
250-300	10-12	5377	1,034.20	5377S	P.O.A	

TAPERS ECCENTRIC



Light Wall (Table D)

mm	Inches	Code	Price	Code with socket	Price
32-50	1¼-2	5645	228.40	5645S	P.O.A
32-80	1¼-3	5655	196.90	5655S	P.O.A
40-50	1½-2	5665	242.10	5665S	P.O.A
40-65	1½-2½	5675	246.10	5675S	P.O.A
40-80	1½-3	5685	383.30	5685S	P.O.A
40-100	1½-4	5695	259.80	5695S	P.O.A
50-65	2-2½	5730	272.70	5730S	P.O.A
50-80	2-3	5710	255.80	5710S	347.00
50-100	2-4	5715	266.10	5715S	358.00
50-125	2-5	5720	332.80	5720S	425.60
65-80	2½-3	5725	250.90	5725S	343.10
65-100	2½-4	5735	262.60	5735S	355.30
65-125	2½-5	5740	287.80	5740S	380.40
65-150	2½-6	5745	306.10	5745S	398.90
80-100	3-4	5750	302.20	5750S	393.50
80-125	3-5	5755	328.70	5755S	420.10
80-150	3-6	5760	347.00	5760S	439.80
80-200	3-8	5765	410.60	5765S	502.60
100-125	4-5	5770	276.20	5770S	368.20
100-150	4-6	5775	291.20	5775S	383.30
100-175	4-7	5780	338.90	5780S	P.O.A
100-200	4-8	5785	362.70	5785S	454.90
100-225	4-9	5790	428.40	5790S	P.O.A
125-150	5-6	5795	287.80	5795S	380.40
125-175	5-7	5845	349.10	5845S	P.O.A
125-200	5-8	5800	372.40	5800S	465.10
125-225	5-9	5805	445.30	5805S	P.O.A
125-250	5-10	5810	474.70	5810S	566.00
150-200	6-8	5815	381.90	5815S	474.70
150-225	6-9	5825	459.60	5825S	P.O.A
150-250	6-10	5835	529.10	5835S	621.90
175-200	7-8	5865	437.00	5865S	P.O.A
200-225	8-9	5875	518.90	5875S	P.O.A
200-250	8-10	5895	594.70	5895S	686.70
200-300	8-12	5905	667.70	5905S	760.40
250-300	10-12	5945	765.70	5945S	858.50



SGP General Purpose - 4mm Wall (min.) (Table D)

mm	Inches	Code	Price	Code with socket	Price
50-80	2-3	5710GP	121.30	5710GPS	184.80
50-100	2-4	5715GP	157.60	5715GPS	187.40
65-80	2½-3	5725GP	121.30	5725GPS	184.80
65-100	2½-4	5735GP	157.60	5735GPS	187.40
65-125	2½-5	5740GP	200.30	5740GPS	230.20
65-150	2½-6	5745GP	255.50	5745GPS	287.30
80-100	3-4	5750GP	158.90	5750GPS	188.80
80-125	3-5	5755GP	201.70	5755GPS	231.50
80-150	3-6	5760GP	251.00	5760GPS	282.20
100-125	4-5	5770GP	224.50	5770GPS	254.20
100-150	4-6	5775GP	267.20	5775GPS	296.30
100-200	4-8	5785GP	392.90	5785GPS	423.50
125-150	5-6	5795GP	262.60	5795GPS	292.40
125-200	5-8	5800GP	381.80	5800GPS	411.20
150-200	6-8	5815GP	387.10	5815GPS	417.00



Heavy Duty - 5mm Wall (min.) (Table D)

mm	Inches	Code	Price	Code with socket	Price
65-100	2½-4	5733	241.20	5733S	328.70
80-100	3-4	5753	258.60	5753S	328.70
80-150	3-6	5763	280.50	5763S	329.30
100-125	4-5	5773	302.10	5773S	341.00
100-150	4-6	5778	341.60	5778S	353.10
125-150	5-6	5798	356.50	5798S	366.80
125-200	5-8	5803	486.90	5803S	573.10
150-200	6-8	5818	512.10	5818S	512.10
200-250	8-10	5898	774.90	5898S	783.70
250-300	10-12	5948	990.20	5948S	P.O.A

HEAVY DUTY

ACCESSORIES



Flange Support Bracket

mm	Inches	Code	Price
50	2	FSB2	17.60
80	3	FSB3	27.00
100	4	FSB4	29.40
125	5	FSB5	31.60
150	6	FSB6	31.60
200	8	FSB8	33.80
225	9	FSB9	24.90
250	10	FSB10	76.20
300	12	FSB12	83.00
350	14	FSB14	104.60
375	15	FSB15	145.10
400	16	FSB16	153.30
450*	18*	FSB18	184.80
500*	20*	FSB20	178.40
600*	24*	FSB24	213.70



* Denotes different style for larger brackets.



Adjustable Flange Support Bracket

mm	Inches	Code	Price
80	3	FSB3A	95.20
100	4	FSB4A	95.20
125	5	FSB5A	95.20
150	6	FSB6A	95.20
200	8	FSB8A	95.20



Bore Caps

mm	OD	Size		Code	Price
		Thickness	Slot		
32	230	8	55 x 25W	4200	92.00
40	230	8	55 x 25W	4201	96.60
50	230	8	55 x 25W	4202	98.60
65	230	8	55 x 25W	4203	107.20
80	285	10	70 x 25W	4204	132.00
100	285	10	70 x 25W	4206	149.30



Bore Caps Stainless Steel

mm	OD	Size		Code	Price
		Thickness	Slot		
32	230	8	55 x 25W	4200SS316	220.80
40	230	8	55 x 25W	4201SS316	234.70
50	230	8	55 x 25W	4202SS316	263.90
65	230	8	55 x 25W	4203SS316	277.90
80	285	10	70 x 25W	4204SS316	408.60
100	285	10	70 x 25W	4206SS316	468.20



Bore Caps - Dual FBSP to suit Deep Well Pump

mm	Code	Price
32mm x 40mm	4210G	162.00
40mm x 50mm	4207G	307.10

FLANGES & GASKETS



Weld On Galv (Table D)

mm	Inches	Thickness	Code	Price
50	2	10	10495	26.40
65	2½	10	10505	29.00
80	3	10	10515	31.80
100	4	10	10525	45.90
125	5	10	10535	58.00
150	6	10	10545	66.90
175	7	10	10555	86.40
200	8	12	10565	108.50
225	9	12	10575	133.80
250	10	12	10585	155.90
300	12	12	10595	170.00
350	14	16	10605	286.20
375	15	16	10615	307.10
400	16	16	10625	329.30
450	18	20	10635	483.90
500	20	20	10645	681.60
600	24	20	10655	732.80
750	30	20	10665	1,257.90
900	36	20	10675	1,403.80



Blank Galv

mm	Inches	Thickness	Code	Price
50	2	10	10497	45.90
65	2½	10	10507	49.30
80	3	10	10517	51.30
100	4	10	10527	52.70
125	5	10	10537	59.50
150	6	10	10547	99.20
200	8	12	10567	120.20
250	10	12	10587	168.80
300	12	12	10597	190.40
350	14	16	10607	332.10
375	15	16	10617	371.20
400	16	16	10627	293.60
450	18	20	10637	547.30
500	20	20	10647	658.00
600	24	20	10657	863.20
750	30	20	10667	P.O.A
900	36	20	10677	P.O.A



Rubber Gaskets

mm	Size		Code	Price
	Inches			
40	1½		11395	5.30
50	2		11405	5.30
65	2½		11415	5.30
80	3		11425	6.30
100	4		11435	6.30
125	5		11445	7.40
150	6		11455	7.40
175	7		11465	10.00
200	8		11475	10.00
225	9		11485	10.00

Rubber Gaskets

mm	Size		Code	Price
	Inches			
250	10		11495	12.10
300	12		11505	13.10
350	14		11515	15.20
375	15		11525	21.50
400	16		11535	22.60
450	18		11545	22.60
500	20		11555	30.50
600	24		11565	42.00
750	30		11575	57.80
900	36		11585	72.50

CONNECTORS



Threaded - Hose Ends

mm	Inches	Code	Price
80-50 BSP	3-2	4716	112.50
80-80 BSP	3-3	4726	124.60
100-80 BSP	4-3	4736	137.40
100-100 BSP	4-4	4746	140.00
125-125 BSP	5-5	4756	166.40
150-150 BSP	6-6	4766	231.60



To Hose (Two Beads)

mm	Inches	Code	Price
50	2	3060B2	31.90
65	2½	3070B2	38.00
80	3	3080B2	54.20
100	4	3090B2	81.90
125	5	4000B2	102.90
150	6	4010B2	120.60



Flanged & Threaded BSP (Table D)

mm	Inches	Code	Price
65-65 BSP	2½-2½ BSP	3795	149.50
80-80 BSP	3-3 BSP	3805	151.60
100-100 BSP	4-4 BSP	3815	160.40
125-125 BSP	5-5 BSP	3825	185.60
150-80 BSP	6-3 BSP	4265	289.40
150-125 BSP	6-5 BSP	4285	340.60
150-150 BSP	6-6 BSP	3835	236.20



Enlarging Flanged & Threaded BSP (Table D)

mm	Inches	Code	Price
50-80 BSP	2-3 BSP	3875	236.20
50-100 BSP	2-4 BSP	3885	247.70
65-80 BSP	2½-3 BSP	3920	242.30
80-100 BSP	3-4 BSP	3930	237.60
100-125 BSP	4-5 BSP	3945	251.10
100-150 BSP	4-6 BSP	3950	292.70
125-150 BSP	5-6 BSP	3955	306.30



Reducing Flanged & Threaded BSP (Table D)

mm	Inches	Code	Price
65-50 BSP	2½-2 BSP	4165	160.40
80-50 BSP	3-2 BSP	4185	223.90
100-50 BSP	4-2 BSP	4215	234.80
100-80 BSP	4-3 BSP	4235	234.80
125-80 BSP	5-3 BSP	4245	275.10
125-100 BSP	5-4 BSP	4255	289.40
150-100 BSP	6-4 BSP	4275	305.20

FLANGED CONNECTORS



1.6mm Wall Thickness (Table D)

Length	mm	Inches	Code	Price
300mm	80	3	3600	198.60
	100	4	3610	218.80
	125	5	3620	264.10
	150	6	3630	304.20
	200	8	3650	421.40
	250	10	3670	590.20
	300	12	3680	658.80
600mm	80	3	3605	208.40
	100	4	3615	233.60
	125	5	3625	282.70
	150	6	3635	326.80
	200	8	3655	460.10
	250	10	3675	639.40
	300	12	3685	722.80

4mm min. Wall Thickness (Table D)

Length	mm	Inches	Code	Price
300mm	80	3	3601	199.90
	100	4	3611	227.80
	125	5	3621	301.60
	150	6	3631	323.00
	200	8	3651	564.20
	250	10	3671	662.00
	300	12	3681	674.40
600mm	80	3	3606	220.10
	100	4	3616	260.80
	125	5	3626	339.70
	150	6	3636	367.00
	200	8	3656	605.10
	250	10	3676	916.40
	300	12	3686	1,137.00

HEAVY DUTY

FLANGED HOSE ENDS



STRAIGHT: 1.6mm Wall Light Duty (Table D)

mm	inch	Code	Price
80	3	4356	87.80
100	4	4366	99.80
125	5	4376	128.80
150	6	4386	151.20
200	8	4406	162.50
250	10	4426	230.80
300	12	4436	508.70



REDUCING: 1.6mm Wall Light Duty (Table D)

mm	Inches	Code	Price
80- 50	3-2	4786	93.20
100- 50	4-2	4796	180.80
100- 80	4-3	4806	184.80
125- 80	5-3	4816	213.80
125-100	5-4	4826	188.90
150- 80	6-3	4986	208.40
150-100	6-4	4836	329.20
150-125	6-5	4846	226.00
200-100	8-4	4856	304.30
200-150	8-6	4866	390.70



ECCENTRIC: 1.6mm Wall Light Duty (Table D)

mm	Inches	Code	Price
80-100	3-4	4547	264.50
80-125	3-5	4557	256.90
80-150	3-6	4567	308.30
100-125	4-5	4577	298.90
100-150	4-6	4587	330.60
125-150	5-6	4597	325.20



ENLARGING: 1.6mm Wall Light Duty (Table D)

mm	Inches	Code	Price
50- 80	2-3	4546	108.50
50-100	2-4	4556	247.00
65- 80	2½ -3	4566	124.80
65-100	2½ -4	4576	245.00
80-100	3-4	4586	161.30
80-125	3-5	4596	256.90
80-150	3-6	4606	271.90
100-125	4-5	4616	217.30
100-150	4-6	4626	397.30
125-150	5-6	4636	190.30
200-250	8-10	4656	400.00

HOSE JOINERS, TAILS & CLAMPS



**HOSE JOINER - Single Bead to Each End:
MIN 1.6mm Wall Light Duty**

mm	Inches	Code	Price
50	2	3060	38.00
65	2½	3070	40.60
80	3	3080	43.40
100	4	3090	47.50
125	5	4000	79.20
150	6	4010	100.30
200	8	4020	142.20



Machined – Suit Standard Layflat Hose

mm	Inches	Code	Price
110	4	4978	315.70
114	4½	4980	332.00
125	5	4982	339.40
150	6	4984	383.80



HEAVY DUTY HOSE JOINER (MACHINED) (Table D)

mm	Inches	Code	Price
80	3	3080HD	148.30
100	4	3090HD	210.60
125	5	4000HD	329.00
150	6	4010HD	402.80



Standard Stainless Steel

mm	Inches	Code	Price
100	4	4905SS	51.90
125	5	4915SS	53.30
150	6	4925SS	54.70
200	8	4945SS	56.00



HEAVY DUTY HOSE TAIL (MACHINED)

mm	Inches	Code	Price
80	3	4356HD	158.60
100	4	4366HD	202.50
125	5	4376HD	288.10
150	6	4386HD	355.50
200	8	4406HD	832.50
250	10	4426HD	1,207.70



Standard Zinc Plated

mm	Inches	Code	Price
80	3	4895	23.90
100	4	4905	26.00
125	5	4915	28.10
150	6	4925	29.70
200	8	4945	46.60

REDUCERS & TEES



Standard

mm	inch	Code	Price
80-50	3-2	495	67.00
100-50	4-2	515	68.30
100-80	4-3	525	78.10
125-80	5-3	535	114.10
125-100	5-4	545	85.50
150-125	6-5	555	89.30
150-100	6-4	565	225.60



Special - To Suit Irrigation Hose

mm	inch	Code	Price
80-65	3-2 1/2	496	173.50
100-89	4-3 1/2	526	188.40
125-89	5-3 1/2	536	278.90
125-114	5-4 1/2	546	205.60



Standard

mm	inch	Code	Price
50	2	25	63.20
80	3	35	71.90
100	4	45	89.30
125	5	55	96.70
150	6	65	141.30



Single Reducing

mm	inch	Code	Price
80-80-50	3-3-2	95	70.60
100-100-50	4-4-2	105	74.30
100-100-80	4-4-3	115	81.70
125-125-50	5-5-2	125	91.80
125-125-100	5-5-4	135	101.70
150-150-125	6-6-5	145	133.80



Double Reducing

mm	inch	Code	Price
80-50-50	3-2-2	155	127.70
100-50-50	4-2-2	165	131.30
100-80-80	4-3-3	175	141.30
125-100-100	5-4-4	185	152.40
150-125-125	6-5-5	195	173.50



Threaded Branch

mm	inch	Code	Price
50-50-50	2-2-2	235	84.30
80-80-50	3-3-2	240	93.00
80-80-80	3-3-3	245	109.10
80-80-100	3-3-4	265	205.60
100-100-50	4-4-2	275	102.90
100-100-80	4-4-3	285	114.10
100-100-100	4-4-4	295	117.80
125-125-50	5-5-2	305	126.50
150-150-100	6-6-4	315	159.80

CROSSES



Standard

mm	inch	Code	Price
50	2	325	70.60
80	3	335	76.80
100	4	345	95.40
125	5	355	123.90
150	6	365	177.20



Single Reducing

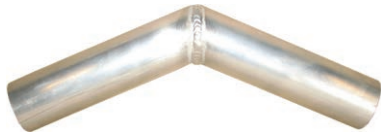
mm	inch	Code	Price
80-80-80-50	3-3-3-2	375	88.00
100-100-100-80	4-4-4-3	385	112.80
125-125-125-100	5-5-5-4	395	138.90
150-150-150-125	6-6-6-5	405	179.70



Double Reducing

mm	inch	Code	Price
80-80-50-50	3-3-2-2	415	74.30
100-100-50-50	4-4-2-2	425	89.30
100-100-80-80	4-4-3-3	435	91.80
125-125-100-100	5-5-4-4	445	117.80
150-150-125-125	6-6-5-5	455	171.00

BENDS



Standard 45°

mm	Inches	Code	Price
50	2	795	49.60
80	3	810	52.00
100	4	815	67.00
125	5	820	81.70
150	6	825	110.20



Standard 90°

mm	Inches	Code	Price
50	2	675	52.00
80	3	685	59.50
100	4	695	70.60
125	5	705	84.30
150	6	715	112.80



Reducing 45°

mm	Inches	Code	Price
80-50	3-2	845	109.10
100-80	4-3	855	131.30
125-100	5-4	865	151.30
150-125	6-5	875	176.00



Reducing 90°

mm	Inches	Code	Price
80-50	3-2	745	137.60
100-50	4-2	755	156.10
100-80	4-3	765	166.10
150-100	6-4	775	371.70
125-100	5-4	780	179.80
150-125	6-5	785	215.70

STARTERS & ENDS



BSP Starter

mm	Inches	Code	Price
50-40 BSP	2-1½	1125	42.20
50-50 BSP	2-2	1135	49.60
50-80 BSP	2-3	1145	146.80
80-40 BSP	3-1½	1165	63.20
80-50 BSP	3-2	1175	68.30
80-65 BSP	3-2½	1185	76.80
80-80 BSP	3-3	1190	78.10
80-100 BSP	3-4	1195	93.00
100-40 BSP	4-1½	1205	84.30
100-50 BSP	4-2	1215	96.70
100-65 BSP	4-2½	1225	84.30
100-80 BSP	4-3	1235	93.00
100-100 BSP	4-4	1245	95.40



Stop Ends

mm	Inches	Code	Price
50	2	975	24.80
80	3	985	35.90
100	4	995	39.60
125	5	1005	53.30
150	6	1010	71.90



Hose Joiner (Bead Each End)

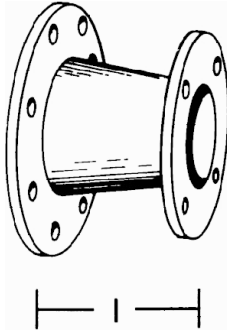
mm	Inches	Code	Price
50	2	1035BEE	22.30
80	3	1045BEE	22.30
100	4	1055BEE	32.20
125	5	1065BEE	38.50
150	6	1075BEE	49.60



Hose Ends

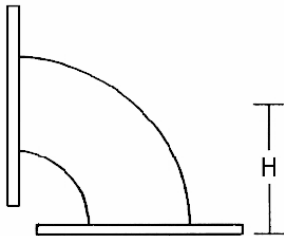
mm	Inches	Code	Price
50	2	1035	21.00
80	3	1045	21.00
100	4	1055	27.20
125	5	1065	31.10
150	6	1075	39.60

STANDARD DIMENSIONS



Galvanized Tapers

mm	inches	Light Wall L (mm)	Med Wall L (mm)	Heavy Duty L (mm)
40 – 80	1 ½ - 3	160	-	89
50 – 80	2 – 3	160	111	89
50 – 100	2 – 4	160	124	102
65 – 80	2 ½ - 3	160	111	89
80 – 100	3 – 4	160	124	102
80 – 125	3 – 5	160	149	127
80 – 150	3 – 6	160	162	140
100 – 125	4 – 5	160	149	127
100 – 150	4 – 6	160	162	140
125 – 150	5 – 6	160	160	140
125 – 200	5 – 8	220	174	152
150 – 200	6 – 8	220	174	152
200 – 250	8 – 10	220	-	178
200 – 300	44903	220	-	203

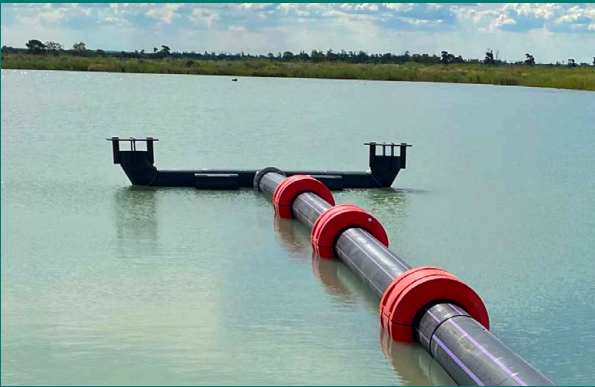


Galvanized 90° Bends

mm	inches	Light Wall H (mm)	Med Wall H (mm)	Heavy Duty H (mm)
80	3	124	124	114
100	4	210	162	152
125	5	250	200	190
150	6	290	240	230
200	8	302	317	305
250	10	385	-	385
300	12	457	-	457



FLOATS & PONTOONS



With a large selection of standard sizes available, Rodney Industries' offers an Australian Made floats and pontoons designed for Australian conditions.

Features of our Floats and Pontoons Include:

- Designs include single or double style.
- Variations on standard sizes available.
- All tethering lugs have metal ferrules to prevent cable cutting/sawing.
- Adjustable sled to the batter angle (slope angle) of ponds, dams, rivers.
- Configured for suction line, footvalves or submersible pumps.

FLOATS & PONTOONS

FLOATS AND PONTOONS



Floats - Single

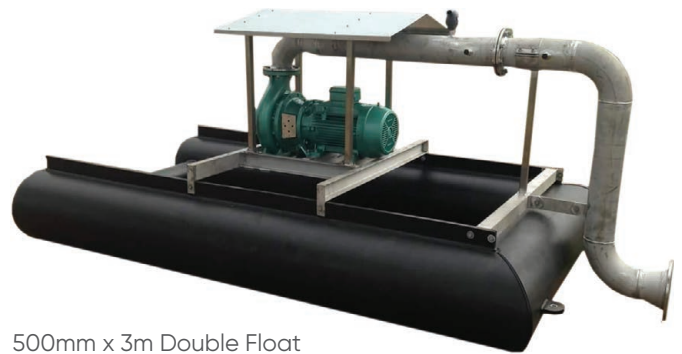
DIA	Size		Code	Price
	Length	Load Capacity		
160	1500	15 kg	F1601500	469.40
200	1000	15 kg	F2001000	527.80
200	1500	21 kg	F2001500	541.30
200	2000	29 kg	F2002000	556.30
250	1500	34 kg	F2501500	644.50
315	1500	53 kg	F3151500	777.40
315	2000	71 kg	F3152000	850.70
315	2500	89 kg	F3152500	886.00
315	3000	106 kg	F3153000	921.30
355	2500	112 kg	F3552500	1,268.50
355	3000	135kg	F3553000	1,324.20

Floats - Double

DIA	Size		Code	Price
	Length	Load Capacity		
200	1500	43kg	FD2001500	1,678.20
200	2000	57kg	FD2002000	2,804.20
250	2500	111 kg	FD2502500	2,888.50
250	3000	134 kg	FD2503000	2,961.80
315	2500	177 kg	FD3152500	3,534.30
315	3000	250 kg	FD3153000	3,607.50
355	2500	225 kg	FD3552500	4,304.90
355	3000	269 kg	FD3553000	4,451.40
400	2500	285 kg	FD4002500	5,264.10
450	3000	433 kg	FD4503000	6,182.40



*Five lugs included on 160mm floats



500mm x 3m Double Float

OUR 'FAB' CREATIONS



630mm x 4.5m Double Float



Poly Pontoon with Galv Support Frame



PUMP PONTOONS



HASSLE FREE PUMP HANDLING & PROTECTION

Built from the ground up to be the most adaptable, unmanned floating structures. All of the UAT modular flotation systems support an enormous range of pumps (up to 5 tonne).

Multiple configurations are available with all designs being immensely robust. With the ability to package down into an extremely compact form factor, moving and storing the units is particularly easy. UAT's interchangeable component design will allow you to customise and grow your structure to suit your future needs.

Custom built for both submersible and surface pumps, these pump floats are made to last.

Complete protection for all of your pumps:

- Tough and durable
- A truly modular concept – all modules are interchangeable in a 'snap together' configuration
- Chemical resistant construction
- Handling advantages and options include Crane, Dozer, Excavator, Truck, Trailer, Workshop
- Efficient storage (small footprint and stackable)
- Easy to handle and manoeuvre

WHO IS IT FOR?

With proven designs to safely and easily position, handle and manoeuvre submersible pumps from 50kg to 5,000kg, we protect your most valuable assets.






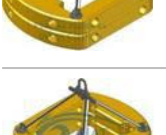


For use in:

- Mining
- Utilities and Wastewater Treatment Plants
- Wastewater Ponds, Lagoons and Tanks
- Agribusiness, Feedlots, Piggeries, Dairies
- Abattoirs
- Heavy Industry
- Refineries
- Oil and Gas
- Recreational Water Bodies, Parks and Lakes
- Industry, Pulp and Paper Mills, Starch Factories

PUMP PONTOONS



FLOATS AND PONTOONS

Example Image (actual colour will be BLUE)	Max Pump Weight (Kg)	Pontoon Assembled Weight Excluding Pump (Kg)	Assembled Dimensions L x W x H	Filling	Code	Price
	180kg	95	1916 x 1874 x 1341	Non Foam Filled	SK-300-A	\$5,194
	120kg	161	2390 x 1874 x 1847	Non Foam Filled	SK-300-AS	\$6,996
	450kg	148	1916 x 1874 x 1602	Non Foam Filled	SK-600-A	\$7,738
	400kg	214	2390 x 1874 x 2109	Non Foam Filled	SK-600-AS	\$9,434
	1800kg	467	2700 x 2260 x 2047	Non Foam Filled	SK-2000-A	\$13,200
	1400kg	750	2796 x 2260 x 3070	Non Foam Filled	SK-2000-AS	\$23,850
	1800kg	467	2700 x 2260 x 2047	Foam Filled	SK-2000-A-FF	\$18,020
	1400kg	750	2796 x 2260 x 3070	Foam Filled	SK-2000-AS-L-FF	\$27,560

* Actual colour will be blue

POLYETHYLENE

FITTINGS

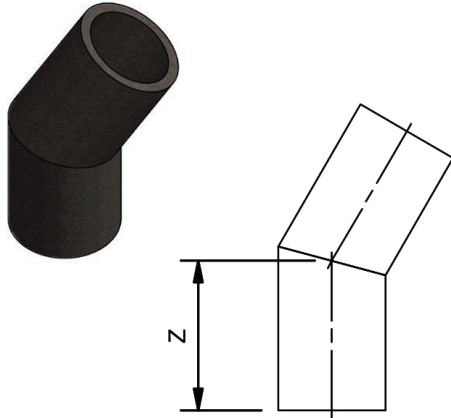


For range and quality, choose Rodney Industries' fittings

We offer a large selection of polyethylene fittings including:

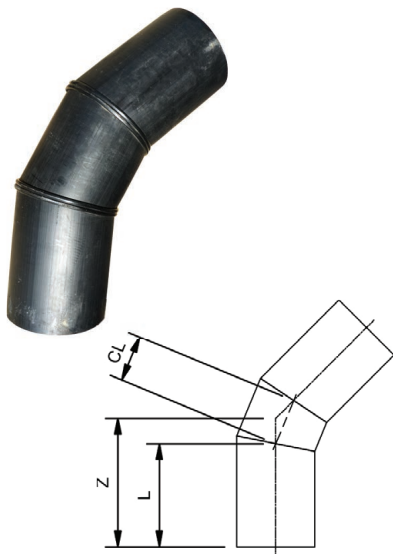
- Bends
- Tees
- Elbows
- Stub Flanges
- Reducers

SEGMENTED BENDS



Segmented Bends - 30°

Size		Code	Price	Code	Price
DN	Z	SDR17		SDR11	
250	350	SEG2503017	385.40	SEG2503011	444.30
280	363	SEG2803017	439.60	SEG2803011	521.20
315	428	SEG3153017	528.90	SEG3153011	643.80
355	443	SEG3553017	623.80	SEG3553011	772.90
400	461	SEG4003017	789.50	SEG4003011	986.30
450	481	SEG4503017	1,000.90	SEG4503011	1,260.90
500	551	SEG5003017	1,260.90	SEG5003011	1,633.70
560	575	SEG5603017	1,508.30	SEG5603011	1,994.10
630	603	SEG6303017	1,923.50	SEG6303011	2,588.80
710	635	SEG7103017	P.O.A	SEG7103011	P.O.A
800	671	SEG8003017	P.O.A	SEG8003011	P.O.A



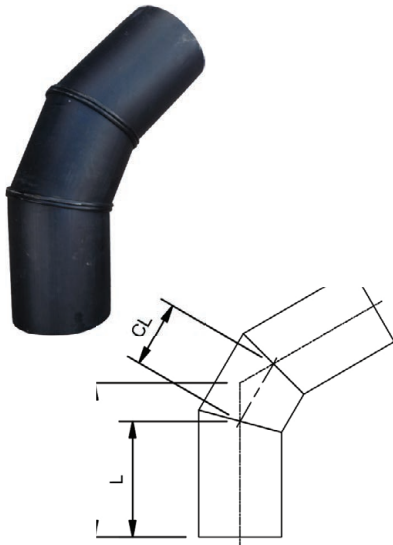
Segmented Bends - 45°

Size				Code	Price	Code	Price
DN	Z	L	CL	SDR17		SDR11	
250	412	330	150	SEG2504517	655.70	SEG2504511	728.50
280	474	383	167	SEG2804517	1,007.10	SEG2804511	1,099.30
315	498	395	190	SEG3154517	1,167.90	SEG3154511	1,308.00
355	520	406	211	SEG3554517	1,343.30	SEG3554511	1,572.10
400	548	420	238	SEG4004517	1,676.10	SEG4004511	1,924.80
450	580	435	270	SEG4504517	2,005.90	SEG4504511	2,319.30
500	665	501	306	SEG5004517	2,383.10	SEG5004511	2,837.00
560	698	517	334	SEG5604517	2,796.00	SEG5604511	3,403.90
630	741	538	375	SEG6304517	3,313.80	SEG6304511	4,106.80
710	791	582	428	SEG7104517	P.O.A	SEG7104511	P.O.A
800	847	611	455	SEG8004517	P.O.A	SEG8004511	P.O.A

Please note:

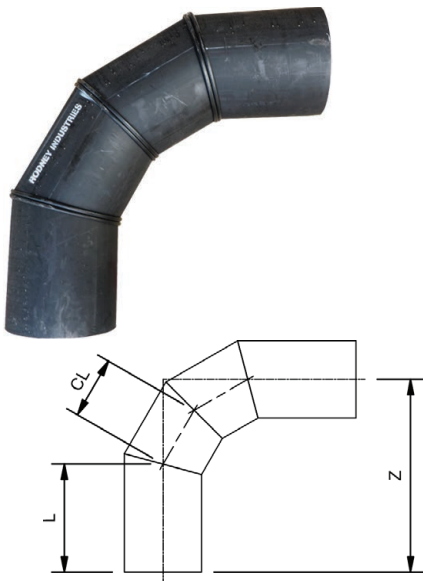
De-ration of our range of fabricated polyethylene fittings must be taken into account when designing a pipe system.

SEGMENTED BENDS



Segmented Bends - 60°

DN	Size			Code		Price	
	Z	L	CL	SDR17		SDR11	
250	466	350	201	SEG2506017	672.40	SEG2506011	778.50
280	492	363	225	SEG2806017	1,069.50	SEG2806011	1,190.90
315	576	428	256	SEG3156017	1,193.70	SEG3156011	1,346.20
355	608	443	286	SEG3556017	1,407.80	SEG3556011	1,620.60
400	646	461	322	SEG4006017	1,760.60	SEG4006011	2,050.40
450	689	481	362	SEG4506017	2,186.10	SEG4506011	2,588.80
500	783	551	402	SEG5006017	2,581.20	SEG5006011	3,129.40
560	835	575	450	SEG5606017	3,124.60	SEG5606011	3,770.50
630	896	603	506	SEG6306017	3,675.80	SEG6306011	4,804.70
710	965	635	570	SEG7106017	P.O.A	SEG7106011	P.O.A
800	1043	671	643	SEG8006017	P.O.A	SEG8006011	P.O.A



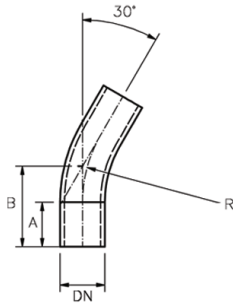
Segmented Bends - 90°

DN	Size			Code		Price	
	Z	L	CL	SDR17		SDR11	
250	625	350	201	SEG2509017	1,251.10	SEG2509011	1,355.10
280	670	363	225	SEG2809017	1,403.50	SEG2809011	1,546.30
315	778	428	256	SEG3159017	1,565.70	SEG3159011	1,756.40
355	833	443	286	SEG3559017	1,899.20	SEG3559011	2,159.10
400	900	461	322	SEG4009017	2,317.80	SEG4009011	2,690.10
450	975	481	362	SEG4509017	2,769.10	SEG4509011	3,263.90
500	1100	551	402	SEG5009017	3,395.70	SEG5009011	4,302.30
560	1190	575	450	SEG5609017	4,120.60	SEG5609011	5,337.00
630	1295	603	506	SEG6309017	P.O.A	SEG6309011	6,069.70
710	1414	635	570	SEG7109017	P.O.A	SEG7109011	P.O.A
800	1550	671	643	SEG8009017	P.O.A	SEG8009011	P.O.A

Please note: De-ration of our range of fabricated polyethylene fittings must be taken into account when designing a pipe system.

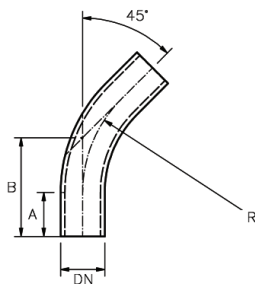
SWEEP BENDS

SWEEP BENDS



Sweep Bends - 30°

Size				Code	Price	Code	Price
DN	B	A	R	SDR17		SDR11	
63	114	63	189	SW0633017	91.50	SW0633011	93.00
75	135	75	225	SW0753017	97.30	SW0753011	98.80
90	162	90	270	SW0903017	98.80	SW0903011	103.90
110	198	110	330	SW1103017	138.70	SW1103011	142.30
125	225	125	375	SW1253017	177.90	SW1253011	186.70
140	266	140	470	SW1403017	221.40	SW1403011	232.50
160	289	160	480	SW1603017	265.90	SW1603011	283.30
180	338	180	590	SW1803017	315.90	SW1803011	341.40
200	361	200	600	SW2003017	365.40	SW2003011	399.50
225	406	225	675	SW2253017	409.60	SW2253011	472.80
250	451	250	750	SW2503017	498.20	SW2503011	563.60
280	505	280	840	SW2803017	584.60	SW2803011	673.20
315	568	315	945	SW3153017	736.50	SW3153011	882.30
355	640	355	1065	SW3553017	879.50	SW3553011	1,079.10



Sweep Bends - 45°

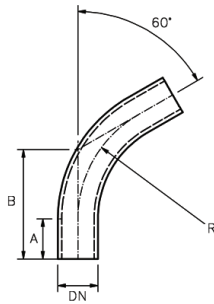
Size				Code	Price	Code	Price
DN	B	A	R	SDR17		SDR11	
63	141	63	189	SW0634517	93.00	SW0634511	94.50
75	168	75	225	SW0754517	98.80	SW0754511	100.30
90	202	90	270	SW0904517	100.30	SW0904511	105.30
110	247	110	330	SW1104517	140.10	SW1104511	146.70
125	280	125	375	SW1254517	183.10	SW1254511	194.60
140	335	140	470	SW1404517	225.90	SW1404511	240.50
160	359	160	480	SW1604517	273.70	SW1604511	292.70
180	424	180	590	SW1804517	POA	SW1804511	357.30
200	449	200	600	SW2004517	379.90	SW2004511	418.90
225	505	225	675	SW2254517	421.90	SW2254511	496.70
250	561	250	750	SW2504517	523.50	SW2504511	599.90
280	628	280	840	SW2804517	618.00	SW2804511	724.00
315	706	315	945	SW3154517	736.50	SW3154511	882.30
355	796	355	1065	SW3554517	890.20	SW3554511	1,096.60

Please note: The above dimensions are provided as a guide only. Accuracy of the above data is not guaranteed and dimensions may change without notice.



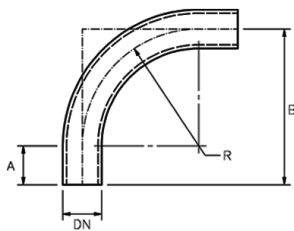
Hard Back Sweep Bends available upon request. Contact our Sales Department for more information and pricing.

SWEEP BENDS



Sweep Bends - 60°

DN	Size			Code	Price	Code	Price
	B	A	R	SDR17		SDR11	
63	172	63	189	SW0636017	93.00	SW0636011	94.50
75	205	75	225	SW0756017	98.80	SW0756011	100.30
90	246	90	270	SW0906017	100.30	SW0906011	107.50
110	301	110	330	SW1106017	143.80	SW1106011	149.70
125	342	125	375	SW1256017	186.70	SW1256011	197.50
140	411	140	470	SW1406017	230.20	SW1406011	248.50
160	437	160	480	SW1606017	279.60	SW1606011	303.60
180	521	180	590	SW1806017	338.60	SW1806011	375.40
200	546	200	600	SW2006017	392.10	SW2006011	440.20
225	615	225	675	SW2256017	440.20	SW2256011	527.20
250	683	250	750	SW2506017	550.40	SW2506011	639.80
280	765	280	840	SW2806017	663.90	SW2806011	791.70
315	861	315	945	SW3156017	904.80	SW3156011	1,131.50
355	970	355	1065	SW3556017	972.40	SW3556011	1,218.70

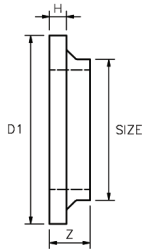


Sweep Bends - 90°

DN	Size			Code	Price	Code	Price
	B	A	R	SDR17		SDR11	
63	252	63	189	SW0639017	93.00	SW0639011	95.80
75	300	75	225	SW0759017	100.30	SW0759011	103.90
90	360	90	270	SW0909017	105.30	SW0909011	111.90
110	440	110	330	SW1109017	146.70	SW1109011	156.10
125	500	125	375	SW1259017	192.40	SW1259011	209.90
140	610	140	470	SW1409017	243.30	SW1409011	265.90
160	640	160	480	SW1609017	296.30	SW1609011	326.10
180	770	180	590	SW1809017	POA	SW1809011	409.60
200	800	200	600	SW2009017	420.50	SW2009011	481.60
225	900	225	675	SW2259017	472.80	SW2259011	589.00
250	1000	250	750	SW2509017	610.00	SW2509011	727.00
280	1120	280	840	SW2809017	737.90	SW2809011	903.40
315	1260	315	945	SW3159017	904.80	SW3159011	1,131.50
355	1420	355	1065	SW3559017	1,124.90	SW3559011	1,448.20

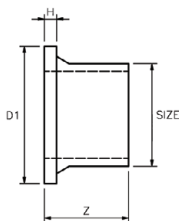
Please note: The above dimensions are provided as a guide only. Accuracy of the above data is not guaranteed and dimensions may change without notice.

STUB FLANGES



Stub Flange - Short Spigot

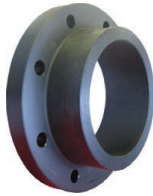
mm	Size			Code	Price	Code	Price
	D1	Z	H	SDR17		SDR11	
63	96	50	14	SF06317	9.70	SF06311	9.70
75	108	50	14	SF07517	10.90	SF07511	10.90
90	128	60	14	SF09017	13.40	SF09011	10.90
110	160	60	14	SF11017	17.10	SF11011	17.10
125	192	65	25	SF12517	20.60	SF12511	20.60
140	192	65	25	SF14017	31.50	SF14011	46.10
160	217	65	25	SF16017	30.40	SF16011	28.00
180	274	75	25	SF18017	46.10	SF18011	46.10
200	274	75	25	SF20017	51.00	SF20011	59.50
225	274	75	25	SF22517	55.80	SF22511	69.10
250	334	80	30	SF25017	82.50	SF25011	80.00
280	334	80	30	SF28017	89.80	SF28011	89.80
315	380	80	30	SF31517	106.70	SF31511	125.00
355	444	90	40	SF35517	135.90	SF35511	167.40
400	495	90	40	SF40017	173.50	SF40011	236.60
450	545	90	40	SF45017	225.60	SF45011	399.10
500	602	105	50	SF50017	293.60	SF50011	416.20
560	657	105	55	SF56017	416.20	SF56011	447.60
630	714	105	55	SF63017	458.60	SF63011	536.30



Stub Flange - Long Spigot

mm	Size			Code	Price	Code	Price
	D1	Z	H	SDR17		SDR11	
63	96	91	14	SF06317EF	9.10	SF06311EF	9.10
75	108	96	14	SF07517EF	10.30	SF07511EF	10.30
90	128	106	14	SF09017EF	12.60	SF09011EF	12.60
110	160	116	14	SF11017EF	17.20	SF11011EF	17.20
125	192	126	25	SF12517EF	20.60	SF12511EF	22.90
140	192	132	25	SF14017EF	29.70	SF14011EF	32.00
160	217	142	25	SF16017EF	32.00	SF16011EF	35.50
180	274	157	25	SF18017EF	48.10	SF18011EF	48.10
200	274	157	25	SF20017EF	59.50	SF20011EF	65.20
225	274	200	25	SF22517EF	66.40	SF22511EF	66.40
250	334	205	30	SF25017EF	97.30	SF25011EF	112.10
280	334	280	30	SF28017EF	172.70	SF28011EF	131.70
315	444	280	30	SF31517EF	163.70	SF31511EF	174.00
355	495	290	40	SF35517EF	267.90	SF35511EF	471.50
400	545	290	40	SF40017EF	369.70	SF40011EF	808.40

MAXI STUBS



Note: Standard Maxi Stub - SDR 11 PE100 drilled to suit Table D backing ring. Other sizes available upon application.

Maxi Stub Short Spigot

Pipe Ø	Size		OD	Code	Price
	inches	mm			
125	4	100	215	MX412511D	44.60
160	5	125	225	MX516011D	74.40
180	6	150	280	MX618011D	81.50
200	6	150	280	MX620011D	160.50
225	8	200	335	MX822511D	181.60
250	8	200	335	MX825011D	195.60
280	9	225	370	MX928011D	231.30
280	10	250	405	MX1028011D	237.60
315	10	250	405	MX1031511D	244.00
355	12	300	455	MX1235511D	313.30



Maxi Stub Long Spigot Suitable for Electrofusion or Butt welding

Pipe Ø	Size		OD	Code	Price
	inches	mm			
125	4	100	215	MX412511DEF	126.30
180	6	150	280	MX618011DEF	115.30
250	8	200	335	MX825011DEF	358.50
315	10	250	405	MX1031511DEF	319.70
355	12	300	455	MX1235511DEF	469.50



Backing Ring to Suit Maxi Stub

Backing Ring mm	Size		Pipe mm	Code	Price
	To Suit Maxi inches				
100	4		125	BRX4140D	44.60
125	5		160	BRX5160D	59.30
150	6		200	BRX6200D	74.40
200	8		250	BRX8250D	109.00
225	9		280	BRX9280D	344.60
250	10		315	BRX10315D	126.30
300	12		355	BRX12355D	167.50



Maxi Stub Assembly complete with Stainless Steel 316 Backing Ring

Pipe Ø	Size		OD	Code	Price
	inches	mm			
125	4	100	215	MX412511EFASSY	156.50
180	6	150	280	MX618011EFASSY	230.60
200	6	150	280	MX620011EFASSY	492.00
225	8	200	335	MX822511EFASSY	689.70
250	8	200	335	MX825011EFASSY	485.20
280	9	225	370	MX928011EFASSY	766.60
315	10	250	405	MX1031511EFASSY	727.30
355	12	300	455	MX1235511EFASSY	898.00

SPACERS AND SHOULDERED ENDS

SPACERS AND SHOULDERED ENDS



Stub Flange - Chamfered for Butterfly Valve SDR11

Size	Code	Price
110	SF11011EFBV	38.80
160	SF16011EFBV	57.20
200	SF20011EFBV	100.60
225	SF22511EFBV	100.60
250	SF25011EFBV	165.10
280	SF28011EFBV	168.80
315	SF31511EFBV	268.10



Valve Spacer - Wafer Style

Pipe OD	Spacer OD	Size				Code	Price
		ID-1	ID-2	THK	Angle		
110	160	89	99	14	20	VSW11011	7.60
125	192	102	125	25	25	VSW12511	17.80
140	192	114	132	25	20	VSW14011	42.00
160	213	130	153	25	25	VSW16011	17.80
200	270	163	209	40	30	VSW20011	42.00
225	270	183	206	25	25	VSW22511	25.40
250	334	203	259	60	25	VSW25011	94.20
280	334	228	263	30	30	VSW28011	53.50
315	380	256	325	60	30	VSW31511	119.80
355	444	289	358	60	30	VSW35511	156.70
400	495	325	418	100	25	VSW40011	226.70
450	545	366	459	100	25	VSW45011	356.70
500	602	407	500	100	25	VSW50011	420.40



Shouldered Ends

Size	Code		Price	Code		Price
	SDR17			SDR11		
90	SE09017		20.60	SE09011		20.60
90	SE09017EF		20.60	SE09011EF		20.60
110	SE11017		21.80	SE11011		21.80
110	SE11017EF		24.30	SE11011EF		24.30
160	SE16017		33.90	SE16011		33.90
160	SE16017EF		41.30	SE16011EF		41.30
200	SE20017		80.00	SE20011		80.00
225	SE22517		86.20	SE22511		86.20

Note: EF Codes represent Long Spigot Shouldered Ends. Not suitable for Electrofusion.

NUTS, BOLTS AND GASKET KITS

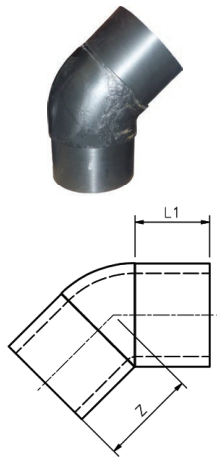


Nuts, Bolts and Gasket Kits

Gasket Size mm	Nut & Bolt Qty	Washer Qty	Code	Price
63	4	8	GK063D	53.50
75	4	8	GK075D	53.50
90	4	8	GK090D	59.30
110	4	8	GK110D	64.30
125	8	16	GK125D	80.30
140	8	16	GK140D	80.30
160	8	16	GK160D	80.30
180	8	16	GK180D	92.20
200	8	16	GK200D	92.20
225	8	16	GK225D	92.20
250	8	16	GK250D	115.90
280	12	24	GK280D	115.90
315	12	24	GK315D	153.50
355	12	24	GK355D	231.30
400	12	24	GK400D	234.40
450	12	24	GK450D	234.40
500	16	32	GK500D	316.50
560	16	32	GK560D	P.O.A
630	16	32	GK630D	P.O.A
710	16	32	GK710D	P.O.A

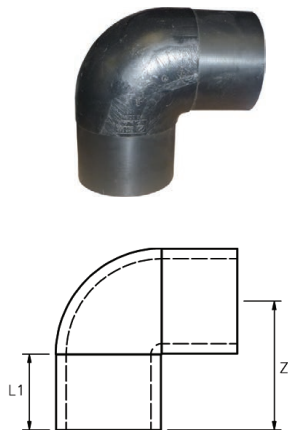
MOULDED BENDS AND TEES

MOULDED BENDS AND TEES



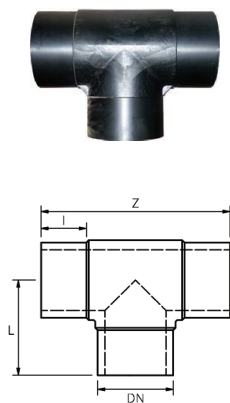
Elbows 45° Moulded - BW & EF

mm	Size		Code		Price	Code		Price
	L1	Z	SDR17			SDR11		
75	80	124	ELB0754517EF		14.60	ELB0754511EF		14.60
90	85	136	ELB0904517EF		18.20	ELB0904511EF		18.20
110	87	145	ELB1104517EF		28.00	ELB1104511EF		28.00
125	87	150	ELB1254517EF		33.90	ELB1254511EF		33.90
160	98	175	ELB1604517EF		58.20	ELB1604511EF		58.20
180	105	183	ELB1804517EF		72.80	ELB1804511EF		72.80
200	110	193	ELB2004517EF		89.80	ELB2004511EF		92.10
225	125	215	ELB2254517EF		145.50	ELB2254511EF		156.50
250	130	232	ELB2504517EF		177.10	ELB2504511EF		212.30
280	140	250	ELB2804517EF		228.00	ELB2804511EF		256.00
315	150	270	ELB3154517EF		524.10	ELB3154511EF		600.60



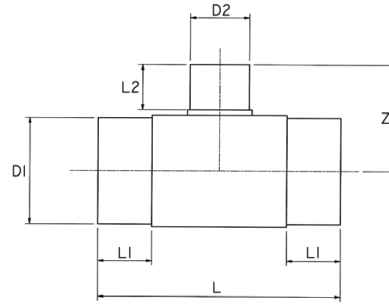
Elbows 90° Moulded - BW & EF

mm	Size		Code		Price	Code		Price
	L1	Z	SDR17			SDR11		
75	75	132	ELB0759017EF		14.60	ELB0759011EF		14.60
90	85	150	ELB0909017EF		18.20	ELB0909011EF		18.20
110	89	163	ELB1109017EF		28.00	ELB1109011EF		28.00
125	90	170	ELB1259017EF		33.90	ELB1259011EF		33.90
160	103	200	ELB1609017EF		58.20	ELB1609011EF		58.20
180	96	210	ELB1809017EF		72.80	ELB1809011EF		72.80
200	104	225	ELB2009017EF		94.70	ELB2009011EF		97.10
225	125	265	ELB2259017EF		145.50	ELB2259011EF		162.60
250	130	290	ELB2509017EF		208.70	ELB2509011EF		220.80
280	140	315	ELB2809017EF		266.90	ELB2809011EF		293.60
315	150	355	ELB3159017EF		405.20	ELB3159011EF		482.80



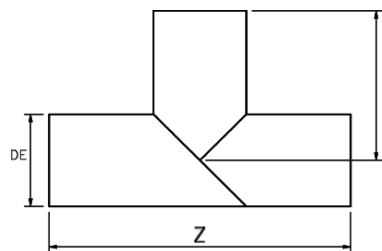
Tees Moulded - Long Spigot

DN	Size			Code		Price	Code		Price
	Z	L	I	SDR17			SDR11		
63	110	220	63	TM06317EF		18.20	TM06311EF		17.10
75	132	264	75	TM07517EF		24.30	TM07511EF		18.20
90	150	300	85	TM09017EF		33.90	TM09011EF		26.70
110	163	326	87	TM11017EF		48.50	TM11011EF		48.50
125	170	341	87	TM12517EF		59.50	TM12511EF		59.50
140	190	380	98	TM14017EF		131.00	TM14011EF		151.70
160	210	400	96	TM16017EF		100.70	TM16011EF		100.70
180	205	410	96	TM18017EF		118.80	TM18011EF		118.80
200	225	450	100	TM20017EF		167.40	TM20011EF		177.10
225	265	530	12	TM22517EF		260.90	TM22511EF		296.10
250	300	600	130	TM25017EF		326.40	TM25011EF		418.60
280	315	632	138	TM28017EF		418.60	TM28011EF		478.10
315	355	710	150	TM31517EF		527.80	TM31511EF		761.80
355*	330	660	110	TM35517EF		1,171.80	TM35511EF		1,563.80



Tees Moulded - Long Spigot

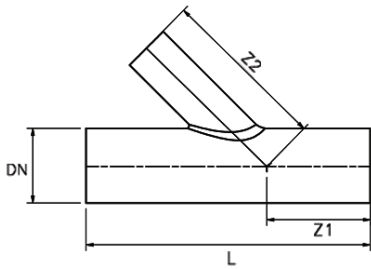
DN	Size			Code	Price	Code	Price
	Z	L	I	SDR17		SDR11	
63	110	220	63	TM06317EF	18.20	TM06311EF	17.10
75	132	264	75	TM07517EF	24.30	TM07511EF	18.20
90	150	300	85	TM09017EF	33.90	TM09011EF	26.70
110	163	326	87	TM11017EF	48.50	TM11011EF	48.50
125	170	341	87	TM12517EF	59.50	TM12511EF	59.50
140	190	380	98	TM14017EF	131.00	TM14011EF	151.70
160	210	400	96	TM16017EF	100.70	TM16011EF	100.70
180	205	410	96	TM18017EF	118.80	TM18011EF	118.80
200	225	450	100	TM20017EF	167.40	TM20011EF	177.10
225	265	530	12	TM22517EF	260.90	TM22511EF	296.10
250	300	600	130	TM25017EF	326.40	TM25011EF	418.60
280	315	632	138	TM28017EF	418.60	TM28011EF	478.10
315	355	710	150	TM31517EF	527.80	TM31511EF	761.80
355*	330	660	110	TM35517EF	1,171.80	TM35511EF	1,563.80



Tees - Fabricated

DE	Size		Code	Price	Code	Price
	Z	L	SDR17		SDR11	
315	760	380	TF31517	1,074.10	TF31511	1,197.00
355	800	400	TF35517	1,190.20	TF35511	1,420.60
400	960	480	TF40017	1,489.10	TF40011	1,851.10
450	1010	505	TF45017	1,760.30	TF45011	2,287.10
500	1060	530	TF50017	2,038.00	TF50011	2,668.40
560	1190	595	TF56017	2,447.50	TF56011	3,030.50
630	1190	595	TF63017	3,771.40	TF63011	4,928.70

JUNCTIONS AND END CAPS



Junctions - 45° Equal Fabricated Long Spigot

DN	Size			Code	Price	Code	Price
	L	Z1	Z2	SDR17		SDR11	
110	700	275	425	J1104517	115.00	J1104511	115.00
125	745	290	455	J1254517	134.50	J1254511	151.30
160	840	330	510	J1604517	214.00	J1604511	308.80
200	960	370	590	J2004517	399.50	J2004511	507.50
225	1080	425	655	J2254517	551.50	J2254511	551.50
250	1155	450	705	J2504517	796.90	J2504511	796.90
280	1245	490	755	J2804517	1,024.10	J2804511	1,024.10
315	1340	525	815	J3154517	1,288.30	J3154511	1,288.30
355	1455	575	880	J3554517	1,894.10	J3554511	1,894.10
400	1550	600	950	J4004517	1,990.40	J4004511	2,408.70
450	1625	625	1000	J4504517	2,352.30	J4504511	2,916.90
500	1700	650	1050	J5004517	2,768.40	J5004511	3,496.90
560	1904	728	1176	J5604517	3,740.90	J5604511	4,768.50
630	2147	819	1323	J6304517	4,898.30	J6304511	6,359.50

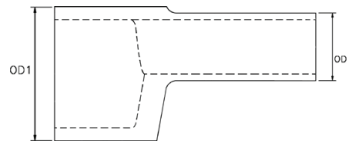


End Caps Domed - Long Spigot*

Size	Code	Price	Code	Price
	SDR17		SDR11	
63	ECD06317	13.40	ECD06311	13.40
75	ECD07517	13.40	ECD07511	13.40
90	ECD09017	15.80	ECD09011	15.80
110	ECD11017	19.40	ECD11011	21.80
125	ECD12517	25.40	ECD12511	28.00
140	ECD14017	58.20	ECD14011	58.20
160	ECD16017	59.50	ECD16011	59.50
180	ECD18017	60.60	ECD18011	60.60
200	ECD20017	64.30	ECD20011	72.80
225	ECD22517	66.80	ECD22511	91.00
250	ECD25017	69.10	ECD25011	108.00
280	ECD28017	76.40	ECD28011	141.90
315	ECD31517	97.10	ECD31511	179.60
355	ECD35517	109.20	ECD35511	382.20
400	ECD40017	160.20	ECD40011	543.50

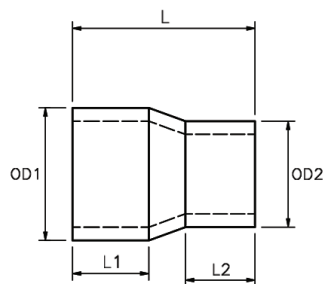
* Long spigot not suitable for electrofusion.

REDUCERS



Reducers Eccentric - Long Spigot

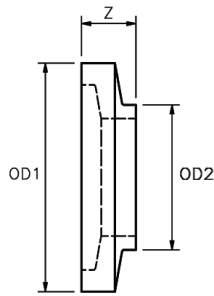
Size		Code	Price	Code	Price
OD1	OD2	SDR17		SDR 11	
90	63	RE09006317EF	31.50	RE09006311EF	33.90
90	75	RE09007517EF	31.50	RE09007511EF	33.90
110	63	RE11006317EF	42.50	RE11006311EF	46.10
110	90	RE11009017EF	42.50	RE11009011EF	46.10
125	63	RE12506317EF	51.00	RE12506311EF	55.80
125	90	RE12509017EF	51.00	RE12509011EF	55.80
125	110	RE12511017EF	51.00	RE12511011EF	120.10
140	125	RE14012517EF	72.80	RE14012511EF	80.00
160	90	RE16009017EF	99.50	RE16009011EF	106.70
160	110	RE16011017EF	99.50	RE16011011EF	106.70
160	125	RE16012517EF	99.50	RE16012511EF	106.70
160	140	RE16014017EF	99.50	RE16014011EF	106.70
180	90	RE18009017EF	127.40	RE18009011EF	138.30
180	125	RE18012517EF	127.40	RE18012511EF	138.30
180	160	RE18016017EF	127.40	RE18016011EF	138.30
200	160	RE20016017EF	139.60	RE20016011EF	151.70
200	180	RE20018017EF	139.60	RE20018011EF	151.70
225	160	RE22516017EF	224.50	RE22516011EF	242.60
225	180	RE22518017EF	224.50	RE22518011EF	242.60
225	200	RE22520017EF	224.50	RE22520011EF	242.60
250	200	RE25020017EF	294.80	RE25020011EF	319.10
250	225	RE25022517EF	294.80	RE25022511EF	319.10



Reducers Concentric - Long Spigot

Size					Code	Price	Code	Price
OD1	OD2	L	I1	I2	SDR 17		SDR 11	
75	63	127	61	57	RC07506317EF	13.40	RC07506311EF	13.40
90	63	190	85	75	RC09006317EF	18.20	RC09006311EF	18.20
90	75	145	71	61	RC09007517EF	18.20	RC09007511EF	18.20
110	90	166	83	71	RC11009017EF	24.30	RC11009011EF	24.30
125	63	210	85	85	RC12506317EF	30.40	RC12506311EF	30.40
125	90	182	87	71	RC12509017EF	24.30	RC12509011EF	24.30
125	110	210	105	105	RC12511017EF	26.70	RC12511011EF	26.70
140	125	210	105	105	RC14012517EF	41.30	RC14012511EF	44.80
160	90	320	105	105	RC16009017EF	55.80	RC16009011EF	55.80
160	110	320	115	105	RC16011017EF	48.50	RC16011011EF	51.00
160	125	320	115	105	RC16012517EF	48.50	RC16012511EF	51.00
200	160	360	120	105	RC20016017EF	82.50	RC20016011EF	83.70

REDUCERS



Reducers Concentric - Short Spigot

Size		Code	Price	Code	Price
OD1	OD2	SDR17		SDR11	
180	125	RC18012517	55.80	RC18012511	58.20
180	160	RC18016017	70.40	RC18016011	70.40
200	110	RC20011017	48.50	RC20011011	48.50
200	140	RC20014017	145.50	RC20014011	151.70
200	160	RC20016017	82.50	RC20016011	83.70
200	180	RC20018017	52.20	RC20018011	86.20
225	140	RC22514017	176.00	RC22514011	184.40
225	160	RC22516017	123.80	RC22516011	138.30
225	180	RC22518017	131.00	RC22518011	138.30
225	200	RC22520017	72.80	RC22520011	72.80
250	160	RC25016017	76.40	RC25016011	76.40
250	200	RC25020017	78.90	RC25020011	78.90
250	225	RC25022517	76.40	RC25022511	76.40
280	200	RC28020017	224.50	RC28020011	233.00
280	225	RC28022517	208.70	RC28022511	211.20
280	250	RC28025017	307.40	RC28025011	212.30
315	200	RC31520017	330.00	RC31520011	346.90
315	225	RC31522517	293.60	RC31522511	266.90
315	250	RC31525017	191.70	RC31525011	342.20
315	280	RC31528017	215.90	RC31528011	284.00
355	200	RC35520017	169.80	RC35520011	P.O.A
355	250	RC35525017	169.80	RC35525011	342.20
355	280	RC35528017	158.90	RC35528011	264.50
355	315	RC35531517	162.60	RC35531511	370.10
400	200	RC40020017	184.40	RC40020011	P.O.A
400	250	RC40025017	184.40	RC40025011	P.O.A
400	280	RC40028017	P.O.A	RC40028011	P.O.A
400	315	RC40031517	173.50	RC40031511	360.30
400	355	RC40035517	236.60	RC40035511	371.20
450	200	RC45020017	224.50	RC45020011	P.O.A
450	250	RC45025017	231.70	RC45025011	P.O.A
450	315	RC45031517	231.70	RC45031511	943.80
450	355	RC45035517	943.40	RC45035511	P.O.A
450	400	RC45040017	781.30	RC45040011	943.80
500	315	RC50031517	391.90	RC50031511	856.50
500	355	RC50035517	391.90	RC50035511	1,227.80
500	400	RC50040017	406.50	RC50040011	540.00
500	450	RC50045017	451.40	RC50045011	498.60
560	400	RC56040017	451.40	RC56040011	637.00
560	450	RC56045017	451.40	RC56045011	759.40
630	400	RC63040017	586.00	RC63040011	P.O.A
630	450	RC63045017	540.00	RC63045011	1,340.60

BACKING RINGS



Backing Rings - Table D Galvanised Steel

Poly pipe OD	Size		Code	Price
	Flange Size	THK		
63	50	10	BR063D2	12.10
75	65	10	BR075D2	13.40
90	80	10	BR090DE	P.O.A
110	100	10	BR110D2	25.40
125	125	13	BR125D2	37.60
140	125	13	BR140D2	32.80
160	150	13	BR160D2	37.60
180	150	13	BR180D2	32.80
200	200	13	BR200D2	47.30
225	200 (8")	13	BR225D2	46.10
250	250	16	BR250D2	88.60
280	250	16	BR280D2	86.20
315	300	19	BR315D2	121.40
355	350	22	BR355DE	P.O.A
400	400	22	BR400D2	190.50
450	450	25	BR450D2	273.10
500	500	29	BR500D2	353.10
560	550	32	BR560D2	316.60
630	600	32	BR630D2	482.80
710	700	35	BR710D2	564.10
800	800	38	BR800D2	989.90
1000	1000	51	BR1000D2	1,436.40

Backing Rings - Table E Galvanised Steel

Poly pipe OD	Size		Code	Price
	Flange Size	THK		
63	50	10	BR063E2	12.10
75	65	10	BR075E2	13.40
90	80	12	BR090DE	P.O.A
110	100	13	BR110E2	25.40
125	125	13	BR125E2	38.80
140	125	14	BR140E2	33.90
160	150	17	BR160E2	46.10
180	150	17	BR180E2	42.50
200	200	19	BR200E2	61.90
225	200 (8")	19	BR225E2	59.50
250	250	22	BR250E2	100.70
280	250	22	BR280E2	95.80
315	300	25	BR315E2	128.60
355	350	29	BR355E2	228.00
400	400	32	BR400E2	276.60
450	450	35	BR450E2	376.10
500	500	38	BR500E2	463.40
560	550	44	BR560E2	570.20
630	600	48	BR630E2	714.50
710	700	51	BR710E2	795.90
800	800	54	BR800E2	1,296.90
900	900	64	BR900E2	1,796.70
1000	1000	67	BR1000E2	1,842.80

BACKING RINGS



Backing Rings - ANSI Galvanised Steel

Poly pipe OD	Size		Code	Price
	Flange Size	THK		
63	50	10	BR063AA105	27.60
75	65	10	BR075A	31.50
90	80	11	BR090AA105	156.90
110	100	13	BR110A	51.00
125	125	14	BR125A	63.10
140	125	14	BR140A	81.30
160	150	17	BR160A	102.00
180	150	17	BR180AA105	52.50
200	200	19	BR200AA105	306.90
225	200 (8")	19	BR225A	P.O.A
250	250	22	BR250A	139.60
280	250	22	BR280A	128.60
315	300	25	BR315A	213.50
355	350	29	BR355A	293.60
400	400	32	BR400A	374.80
450	450	32	BR450A	POA
500	500	43	BR500A	445.20
560	550	48	BR560A	576.30
630	600	50	BR630A	617.50
710	700	50	BR710A	P.O.A
800	800	60	BR800A	P.O.A

Blank Flange - Galvanised Steel

Poly pipe OD	Size Flange	Code Table D	Price	Code Table E	Price
63	2"	BF063DE	24.80	BF063DE	24.80
75	2.5"	BF075DE	24.80	BF075DE	24.80
90	3"	BF090E	26.10	BF090E	26.10
110	4"	BF110D	40.70	BF110E	40.70
125	5"	BF125D	63.10	BF125E	63.10
160	6"	BF160D	91.20	BF160E	91.20
200	8"	BF225D	120.30	BF225E	139.60
250	10"	BF280D	174.40	BF280E	233.20
315	12"	BF315D	272.00	BF315E	354.10
355	14"	BF355D	417.90	BF355E	685.90
400	16"	BF400D	512.60	BF400E	736.30
450	18"	BF450D	P.O.A	BF450E	P.O.A
500	20"	BF500D	P.O.A	BF500E	P.O.A
630	24"	BF630D	P.O.A	BF630E	P.O.A
710	28"	BF710D	P.O.A	BF710E	P.O.A
800	32"	BF800D	P.O.A	BF800E	P.O.A
1000	40"	BF1000D	P.O.A	BF1000E	P.O.A

BACKING RINGS



Backing Rings - Table D 316 Stainless Steel

Size		Code	Price
Poly Pipe OD	Flange Size		
63	2"	BRS063D	42.50
75	2 1/2"	BRS075D	48.50
90	3"	BRS090E	58.20
110	4"	BRS110D	92.10
125	5"	BRS125D	138.30
140	5"	BRS140D	121.40
160	6"	BRS160D	143.10
180	6"	BRS180D	122.50
200	8"	BRS200D	176.00
225	8"	BRS225D	171.10
250	10"	BRS250D	364.00
280	10"	BRS280D	351.80
315	12"	BRS315D	496.20
355	14"	BRS355D	689.10
400	15"	BRS400D	782.60
450	16"	BRS450D	1,119.80
500	18"	BRS500D	1,454.50
560	20"	BRS560D	1,304.20
630	24"	BRS630D	1,985.90
710	28"	BRS710D	2,279.50
800	32"	BRS800D	4,160.00
1000	40"	BRS1000D	5,902.10

Backing Rings - Table E 316 Stainless Steel

Size		Code	Price
Poly Pipe OD	Flange Size		
63	2"	BRS063E	48.50
75	2 1/2"	BRS075E	48.50
90	3"	BRS090E	58.20
110	4"	BRS110E	92.10
125	5"	BRS125E	149.30
140	5"	BRS140E	131.00
160	6"	BRS160E	180.70
180	6"	BRS180E	166.20
200	8"	BRS200E	251.10
225	8"	BRS225E	243.90
250	10"	BRS250E	411.30
280	10"	BRS280E	391.90
315	12"	BRS315E	525.30
355	14"	BRS355E	939.00
400	15"	BRS400E	1,137.90
450	16"	BRS450E	1,544.40
500	18"	BRS500E	1,904.70
560	20"	BRS560E	2,347.60
630	24"	BRS630E	2,943.10
710	28"	BRS710E	3,273.10
800	32"	BRS800E	5,682.60
1000	40"	BRS1000E	7,658.80



Rodney Industries

A Division of Vinidex Pty Limited

BUILT FOR STRENGTH, BUILT FOR QUALITY, BUILT TO LAST

We pride ourselves in our continued manufacture and supply of quality products and services.

Why choose Rodney Industries' Irrigation Fittings?

We understand the importance of quality and value for money. Take for example our hose joiner:

- Heavier wall thickness for strength and durability.
- Chamfered for easy installation and hose protection.
- Smooth tapered spigot to reduce rusting and cutting inside irrigation hose.
- Hot dipped galvanized for longer lifespan.



IRRIGATION

FITTINGS



For range and quality, choose Rodney Industries' fittings

We offer a large selection of Irrigation fittings including:

- Hose Joiners
- Bauer Style Fittings
- Weld Bells
- Mainline Adaptors

IRRIGATION FITTINGS



Plain to Half Joiner

Inch	Code	Price
3" x 3½"	10004	143.10
4" x 3"	10989	144.70
4" x 3½"	9899	158.40
4" x 4"	10012	162.20
4" x 5"	10024	212.50
5" x 3½"	9987	212.50
5" x 4"	9988	216.10
5" x 4½"	9989	262.10
5" x 5"	10999	265.10
5" x 6"	10025	281.10
6" x 4"	10023	233.60
6" x 5"	9900	267.30
6" x 6"	10998	289.20

Threaded to Half Joiner

Inch	Code	Price
2½" x 2½"	9927	143.20
2" x 3"	9929	141.90
2½" x 3"	9930	143.20
3" x 2½"	9926	149.60
3" x 3"	9931	149.60
2½" x 3½"	9932	157.20
3" x 3½"	9933	163.40
2½" x 4"	9934	160.60
3" x 4"	9935	166.20
4" x 3½"	9937	169.10
4" x 4"	9936	173.80
4" x 4½"	9938	220.40
4" x 6"	9939	278.10



Flange to Half Joiner

Inch	Code	Price
2" x 2½"	9944	143.10
2½" x 3"	9946	158.40
3" x 3"	9947	162.20
4" x 2½"	10033	159.90
4" x 3"	9948	165.20
3" x 3½"	9949	174.60
4" x 3½"	9950	187.60
5" x 3½"	9951	200.00
6" x 3½"	9952	209.70
3" x 4"	9953	180.40
4" x 4"	9964	217.70

Flange to Half Joiner

Inch	Code	Price
4" x 5"	9961	221.30
5" x 4"	9954	201.60
6" x 4"	9955	216.10
4" x 4½"	9956	201.60
5" x 4½"	9957	254.10
6" x 4½"	9958	260.60
5" x 5"	10007	228.50
5" x 6"	10008	252.70
6" x 5"	9960	262.10
6" x 6"	9962	267.30

IRRIGATION FITTINGS



Hose Joiner

Inch	Code	Price
2"	9980	72.40
2½"	9981	73.70
3"	9982	75.30
3½"	9983	89.90
4"	9984	97.90
4½"	9985	168.80
5"	10005	184.10
6"	10006	219.10



Hose Joiner Reducing

Inch	Code	Price
2 ½" x 3"	10031	135.00
3" x 3½"	10003	157.10
3" x 4"	9986	159.90
3½" x 4"	9978	178.90
4" x 4½"	9979	185.40



Coupler Joiner

Inch	Code	Price
3" x 3"	9973	346.90
4" x 3"	9974	463.00
4" x 4"	9975	379.10



Ring Type Coupler - (Hosetail x Coupler)

Inch	Code	Price
2½" x 3"	9990	158.40
2 ½" x 4"	9996	163.60
3" x 3"	9991	162.20
3 ½" x 3"	10002	198.60
3" x 4"	9992	193.40
3 ½" x 4"	9997	214.50
3 ½" x 5"	10014	257.10
4" x 4"	9998	189.10
4" x 5"	10015	260.60
4 ½" x 4"	9999	254.10
4" x 3"	10000	206.00
4 ½" x 5"	10001	305.40
5" x 4"	10010	281.10
5" x 5"	10018	333.70
6" x 6"	10016	348.30



Standard Coupler (Hosetail x Coupler)

Inch	Code	Price
3" x 4"	10009	433.00
3½" x 4"	9993	377.50
4" x 4"	9994	392.80
4½" x 4"	9995	435.90

IRRIGATION FITTINGS



Flange to Bell

Inch	Code	Price
2½" x 3"	9959	216.10
3" x 3"	9965	219.10
4" x 3"	9969	254.10
3" x 4"	9968	267.30
4" x 4"	9963	275.30
5" x 4"	9967	292.10
5" x 5"	10019	259.30
6" x 4"	9966	305.40
6" x 6"	10017	323.50
6" x 8"	10020	398.80
8" x 8"	10021	358.00

Mainline Adaptor (Bell x Spigot)

Inch	Code	Price
3" x 3"	9970	241.70
3" x 4"	9971	260.60
3" x 5"	10011	272.30
4" x 4"	9972	278.10
4" x 5"	9976	287.80
4" x 6"	10032	294.40
5" x 5"	10022	295.70



Flange to Bell No Lugs \ Links

Inch	Code	Price
3" x 3"	9965HAB	POA
4" x 4"	9963HA	178.90
5" x 5"	10019HA	233.60
6" x 6"	10017HA	267.30
8" x 8"	10021HA	282.70

Flange to Male Spigot

Inch	Code	Price
3" x 3"	9965MSA	233.60
4" x 4"	9963MSA	239.40
5" x 5"	10019MSA	306.70
6" x 6"	10017MSA	335.20
8" x 8"	10021MSA	495.00

IRRIGATION FITTINGS



Weld Bells c/w Lugs and Links (Black)

Inch	mm	Code	Price
3"	80	9922	139.50
4"	100	9923	123.40
5"	125	9294	162.20
6"	150	9295	190.60
8"	200	9315	198.60



Weld Bells c/w Lugs and Links (Galvanized)

Inch	mm	Code	Price
3"	80	9920	146.10
4"	100	9921	150.50
5"	125	9290	171.60
6"	150	9291	201.60
8"	200	9313	216.10



Weld Bells w/o Lugs and Links (Black)

Inch	mm	Code	Price
3"	80	9297	62.80
4"	100	9298	80.50
5"	125	9299	95.00
6"	150	9300	117.60
8"	200	9317	162.90



Thread to Weld Bells c/w Lugs and Links (Galvanized)

Inch	mm	Code	Price
4" x 4"	100 x 100	10026	332.20
5" x 5"	125 x 125	10027	350.50
4" x 5"	100 x 125	10028	343.20

*Note: All Weld Bells supplied with round-back gaskets

IRRIGATION FITTINGS

IRRIGATION FITTINGS



Weld Bell Clamps (Travis Clamps)

Inch	mm	Code	Price
4"	100	9304	38.70
5"	125	9305	71.70
6"	150	9306	87.60
8"	200	9321	95.00



Round Back Gaskets

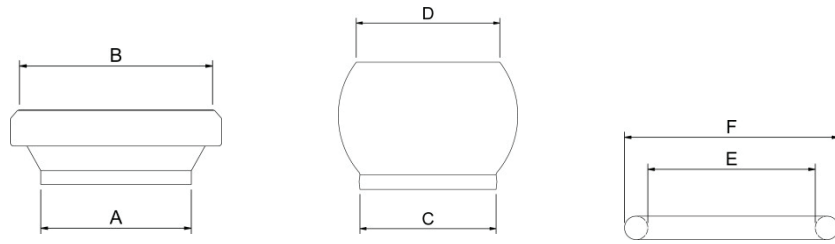
Inch	mm	Code	Price
3"	80	9924	7.40
4"	100	9925	10.30
5"	125	9310	15.30
6"	150	9312	19.70
8"	200	9319	22.70



Joiner Ring Only

Inch	Code	Price
2"	9901	21.10
2½"	9902	21.10
3"	9903	22.70
3½"	9904	24.20
4"	9905	25.60
4½"	9906	28.50
5"	9908	30.00

IRRIGATION FITTINGS



inches	Size mm	Female Coupling		Male Coupling		Rubber Seal	
		A	B	C	D	E	F
2	50	48.5	72	50	48.5	62	80.6
3	76	76	98	81	76	88.5	114.5
3.5	89	89	121	93	89	108	134
4	108	108	147	112	108	132	162
5	133	132	163	137	132	152	188
6	159	158	182	155	158	170	208
8	194	194	231	200	194	220	258



Black Steel Coupling Complete With Rubber Seal

Inch	mm	Code	Price
2	50	12000	46.40
3	76	12002	62.90
3.5	89	12004	90.50
4	108	12006	107.10
5	133	12008	151.20
6	159	12010	183.30

Black Steel Male Coupling

Inch	mm	Code	Price
2	50	12014	10.60
3	76	12016	10.60
3.5	89	12018	17.30
4	108	12020	21.60
5	133	12022	24.70
6	159	12024	35.30
8	194	12026	62.90

IRRIGATION FITTINGS



Galvanized Steel Lever Ring

Inch	mm	Code	Price
2	50	12028	35.30
3	76	12030	50.90
3.5	89	12032	69.60
4	108	12034	86.10
5	133	12036	134.70
6	159	12038	173.00
8	194	12040	268.70



Black Steel Female Coupling With Rubber Seal

Inch	mm	Code	Price
2	50	12042	17.30
3	76	12044	17.30
3.5	89	12046	24.70
4	108	12048	32.20
5	133	12050	44.90
6	159	12052	59.80
8	194	12054	74.10



Rubber O'Ring Seal

Inch	mm	Code	Price
2	50	12056	5.90
3	76	12058	5.90
3.5	89	12060	9.00
4	108	12062	10.60
5	133	12064	14.20
6	159	12066	17.30
8	194	12068	20.30



Galvanized Steel Male End Plug With Lever Ring

Inch	mm	Code	Price
2	50	12084	77.20
3	76	12086	126.30
3.5	89	12088	151.20
4	108	12090	154.20
5	133	12092	226.80
6	159	12094	380.90
8	194	12096	470.00



Galvanized Steel Female Coupling With Hose Tail & Rubber Seal - (Bauer X Tail)

Inch	mm	Code	Price
2	50 x 50	12098	41.90
3	76 x 76	12102	47.90
3.5	89 x 76	12104	62.90
4	108 x 100	12108	82.40
5	133 x 125	12112	113.70
6	159 x 150	12114	138.40
8	194 x 200	12118	262.00



Galvanized Steel Male Coupling With Hose Tail & Lever Ring - (Bauer X Tail)

Inch	mm	Code	Price
2	50 x 50	12120	62.90
3	76 x 76	12124	115.30
3.5	89 x 89	12128	125.10
4	108 x 100	12130	154.20
5	133 x 125	12134	231.20
6	159 x 150	12136	293.40
8	194 x 200	12140	467.00

IRRIGATION FITTINGS



Galvanized Steel Female Coupling Threaded BSPM With Rubber Seal – (Bauer X BSPM)

mm x Inch	Code	Price
50 mm x 2"	12144	95.70
76 mm x 3"	12148	143.00
89 mm x 3"	12150	152.60
108 mm x 4"	12152	125.10
133 mm x 5"	12154	206.60
159 mm x 6"	12156	247.70
194 mm x 8"	12158	277.70



Galvanized Steel Female End Plug With Rubber Seal

Inch	mm	Code	Price
2	50	12070	69.60
3	76	12072	72.50
3.5	89	12074	82.40
4	108	12076	86.10
5	133	12078	97.30
6	159	12080	101.80
8	194	12082	146.70



Galvanized Steel Flanged Female Coupling With Rubber Seal – (Flange X Bauer)

Inch	mm	Code	Price
2	50 x 50	12180	173.00
3	80 x 89	12182	180.40
4	100 x 108	12184	209.60
5	125 x 133	12186	237.20
6	150 x 159	12188	279.20
8	200 x 194	12190	343.60



Galvanized Steel Flanged Male Coupling With Lever Ring – (Flange X Bauer)

Inch	mm	Code	Price
2	50 x 50	12194	229.80
3	80 x 89	12196	245.50
4	100 x 108	12198	270.20
5	125 x 133	12200	327.00
6	150 x 159	12202	401.20
8	200 x 194	12204	711.10



Galvanized Steel Male Coupling Threaded BSPM With Lever Ring – (Bauer X BSPM)

mm x Inch	Code	Price
50 mm x 2"	12162	82.40
76 mm x 3"	12166	173.00
89 mm x 3"	12168	188.60
108 mm x 4"	12170	221.50
133 mm x 5"	12172	303.10
159 mm x 6"	12174	351.80
194 mm x 8"	12176	589.10

we make life flow



Rodney
Industries

Vinidex
by aliaxis

aliaxis



Rodney Industries

RODNEY INDUSTRIES

19 Valente Close,
Chermside QLD 4032
Phone: +61 7 3624 0300



Connect with Us



Proudly a division of
Vinidex
by aliaxis