



Rodney Industries



IRRIGATION

VALVES, PIPES & FITTINGS

APRIL 2025

TABLE OF CONTENTS



TABLE OF CONTENTS

Footvalves	PAGE 02	Aluminium Crosses	PAGE 32
Eco Check Valves	PAGE 06	Aluminium Bends	PAGE 33
Gate Check Valves	PAGE 07	Aluminium Starters and Ends	PAGE 34
Check Valves	PAGE 08	Floats and Pontoons	PAGE 38
Right Angle Discharge Valve	PAGE 08	Segmented Bends	PAGE 42
Eco Flap Valves	PAGE 09	Sweep Bends	PAGE 44
Gibault Joints	PAGE 09	Stub Flanges	PAGE 46
Strainers	PAGE 10	Maxi Stubs	PAGE 47
Valve Spare Parts	PAGE 12	Valve Spacers	PAGE 48
Goosenecks	PAGE 16	Shouldered Ends	PAGE 48
Flanged Pipe	PAGE 17	Nuts, Bolts and Gasket Kits	PAGE 49
Bends	PAGE 20	Moulded Bends and Tees	PAGE 50
Tees	PAGE 22	Junctions	PAGE 52
Tapers	PAGE 23	End Caps	PAGE 52
Flange Support Brackets	PAGE 25	Reducers	PAGE 53
Bore Caps	PAGE 25	Backing Rings	PAGE 55
Flanges and Gaskets	PAGE 26	Joiners	PAGE 60
Connectors	PAGE 27	Couplers	PAGE 61
Hose Ends	PAGE 29	Adaptors	PAGE 62
Hose Joiners, Tails and Clamps	PAGE 30	Weld Bells	PAGE 63
Aluminium Reducers	PAGE 31	Clamps and Gaskets	PAGE 64
Aluminium Tees	PAGE 31	Bauer Style Fittings	PAGE 65



Rodney **Industries**



**REAL PEOPLE
REAL PRODUCTS
REAL SOLUTIONS**



IRRIGATION

VALVES & STRAINERS

With a range that expands over 100 types and sizes, you are sure to find the Valve and Strainer to suit your requirements. If you don't ... we can make it!

- Large range of Valves available in sizes to suit your requirements.
- For use in a wide range of applications, including: ocean outlets, transfer ponds, channels.
- Hot dipped galvanized.
- Spare parts readily available.

FOOTVALVES



Please note:
Spring Loaded Code includes factory fitted spring.



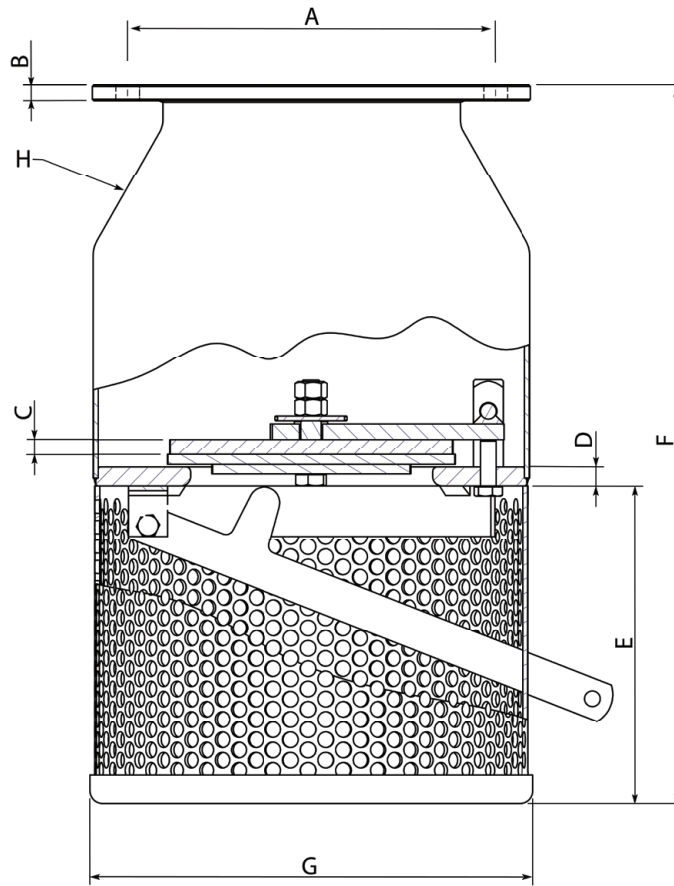
Standard Galvanized (Table D)

mm	Inches	Code	Price	Spring Load Code	Spring Load Price
80	3	6515	572.40	6515SL	646.30
100	4	6525	623.30	6525SL	717.50
125	5	6535	718.50	6535SL	766.60
150	6	6545	839.30	6545SL	912.50
200	8	6565	1,152.00		
250	10	6585	1,447.40		
300	12	6595	2,082.90		
350	14	6590	2,873.40		
375	15	6605	4,349.10		
400	16	6615	5,067.00		
450	18	6625	5,654.60		
500	20	6635	6,192.00		
600	24	6645	8,031.90		
660	26	6647	8,344.60		
750	30	6650	13,578.00		

Stainless Steel 316 (Table D)

mm	Inches	Code	Price	Spring Load Code	Spring Load Price
80	3	6515SS316	2,458.20	6515SS316SL	2,505.70
100	4	6525SS316	1,126.40	6525SS316SL	1,516.20
125	5	6535SS316	1,378.10	6535SS316SL	1,408.40
150	6	6545SS316	1,640.70	6545SS316SL	1,882.60
200	8	6565SS316	2,528.60		
250	10	6585SS316	4,761.50		
300	12	6595SS316	5,722.80		
350	14	6590SS316	P.O.A		
375	15	6605SS316	P.O.A		
400	16	6615SS316	P.O.A		
450	18	6625SS316	P.O.A		
500	20	6635SS316	P.O.A		
600	24	6645SS316	P.O.A		

GALVANISED FOOTVALVES



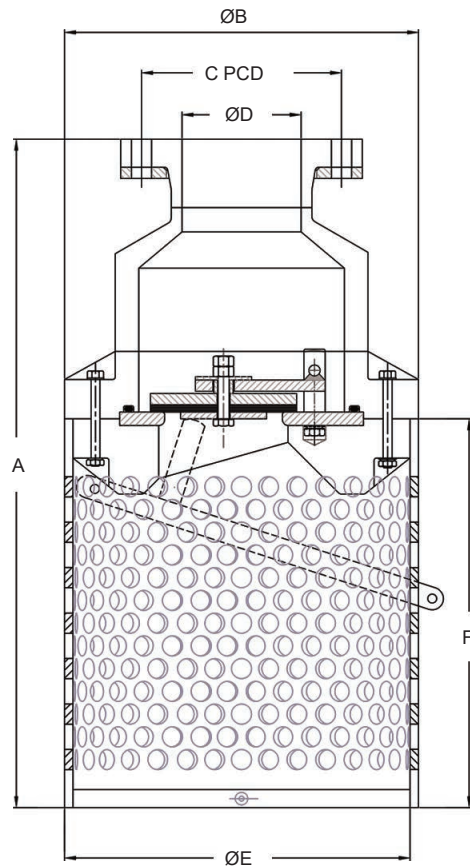
Size		A	B	C	D	E	F	G	H	Weight
mm	Inches	mm	mm	mm	mm	mm	mm	mm	mm	Approx kgs
80	3	146	10	10	12	178	372	188	3	10
100	4	178	10	10	12	178	393	220	3	11.7
125	5	210	10	10	12	203	448	258	3	16.2
150	6	235	10	10	12	203	459	283	3	18.5
175	7	260	10	10	12	230	500	310	2	20
200	8	292	12	12	16	278	595	340	3	30
250	10	356	12	12	16	312	676	405	3	42
300	12	406	12	12	16	364	776	455	3	53
350	14	470	16	16	20	408	897	525	3	82.5
375	15	495	16	16	20	432	920	550	2	86.5
400	16	521	16	16	20	470	975	585	2	98.4
450	18	584	20	20	25	505	1105	645	3	139
500	20	641	20	20	25	555	1180	710	3	178
600	24	756	20	20	25	665	1390	830	3	246
660	26	813	20	20	25	725	1510	875	3	280
750	30	927	25	20	32	820	1660	995	6	500

FOOTVALVES



Poly Housing G-10 Glass Resin & 316 Stainless Steel

Size		Code	Price	Spring Loaded Code	Spring Loaded Price
mm	inches				
100	4	FVPS100	2,590.50	FVPS100SL	2,647.50
125	5	FVPS125	3,058.20	FVPS125SL	3,131.00
150	6	FVPS150	3,298.00	FVPS150SL	3,446.40
200	8	FVPS200	4,552.00		
250	10	FVPS250	5,934.00		
300	12	FVPS300	6,791.20		



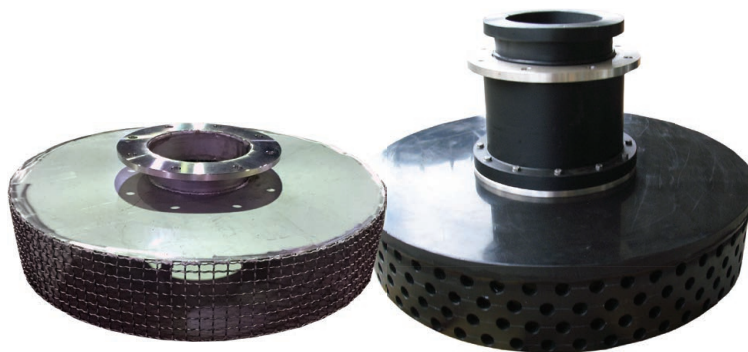
Footvalve	General Dimensions					
	A	ØB	C PCD	ØD	ØE	F
FVPS100	590	300	178 (4")	106	300	345
FVPS125	700	350	210 (5")	130	350	370
FVPS150	700	350	235 (6")	162	350	370
FVPS200	820	440	292 (8")	203	440	450
FVPS250	950	545	356 (10")	255	545	550
FVPS300	950	600	406 (12")	302	600	565

SQUAT STYLE FOOTVALVES



Squat Style Footvalves (Table D)

mm	Inches	DIA (mm)	Screen Height (mm)	Code	Price
100	4	600	155	6525SQ600	1,381.70
100	4	900	155	6525SQ900	1,476.50
125	5	600	170	6535SQ600	1,432.80
125	5	900	170	6535SQ900	1,563.70
150	6	600	170	6545SQ600	1,607.40
150	6	900	170	6545SQ900	1,738.30
200	8	600	170	6565SQ600	1,789.10
200	8	900	170	6565SQ900	1,919.90
200	8	1200	170	6565SQ1200	2,145.50
250	10	900	170	6585SQ900	2,305.50
250	10	1200	170	6585SQ1200	2,712.70
300	12	900	170	6595SQ900	2,523.70
300	12	1200	170	6595SQ1200	2,981.80



Also available in Stainless Steel and Polyethylene. Contact our sales office for further details.

ECO CHECK VALVES



Standard (Table D)

mm	Inches	Code	Price
80	3	6360	1,354.00
100	4	6370	1,730.90
125	5	6380	2,168.10
150	6	6390	2,172.20
200	8	6410	2,864.00
250	10	6420	4,788.50
300	12	6430	4,937.40
350	14	6440	7,643.90
375	15	6450	7,991.50
400	16	6460	8,216.00
450	18	6470	8,818.10
500	20	6480	10,091.60
600	24	6490	12,095.30
660	26	6500	13,124.70
660/750	26/30	6502	13,625.50
660/900	26/36	6504	14,408.10



With Bypass (Table D)

mm	Inches	Bypass Size	Code	Price
80	3	20 copper	6360BP	1,741.50
100	4	20 copper	6370BP	2,208.50
125	5	20 copper	6380BP	2,645.80
150	6	20 copper	6390BP	2,560.30
200	8	20 copper	6410BP	3,355.60
250	10	32 gal	6420BP	5,234.00
300	12	32 gal	6430BP	5,383.70
350	14	40 gal	6440BP	8,468.30
375	15	40 gal	6450BP	8,818.10
400	16	50 gal	6460BP	8,979.60
450	18	50 gal	6470BP	9,644.10
500	20	60 gal	6480BP	11,133.60
600	24	60 gal	6490BP	13,501.50
660	26	80 gal	6500BP	14,581.40
660/750	26/30	80 gal	6502BP	15,080.80
660/900	26/36	80 gal	6504BP	15,864.00



Valve complete with inspection hatch
Please let sales department know when ordering if you require the hatch. (For sizes 14" and up).

GATE CHECK VALVES



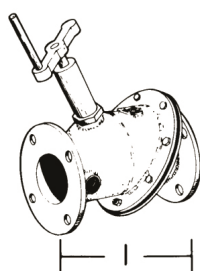
Standard (Table D)

mm	Inches	Code	Price
80	3	6815	1,796.60
100	4	6825	1,947.70
125	5	6835	2,222.70
150	6	6845	2,366.10
200	8	6865	2,992.60
250	10	6885	4,733.20
300	12	6895	5,846.70
350	14	6905	7,601.40
400	16	6925	8,381.90
450	18	6935	11,124.90
500	20	6945	12,562.70
600	24	6955	14,516.10
660	26	6960	17,772.20
750	30	6965	19,778.70
660/750	26/30	6502	13,625.50
660/900	26/36	6504	14,408.10



With Bypass (Table D)

mm	Inches	Bypass Size	Code	Price
80	3	20 copper	6815BP	2,149.20
100	4	20 copper	6825BP	2,328.10
125	5	20 copper	6835BP	2,662.50
150	6	20 copper	6845BP	2,790.60
200	8	20 copper	6865BP	3,410.20
250	10	32 gal	6885BP	5,090.00
300	12	32 gal	6895BP	6,579.70
350	14	40 gal	6905BP	8,540.60
400	16	50 gal	6925BP	8,712.00
450	18	50 gal	6935BP	11,377.30
500	20	65 gal	6945BP	14,029.30
600	24	65 gal	6955BP	16,065.20
660	26	80 gal	6960BP	18,564.60
750	30	80 gal	6965BP	20,417.30
660/750	26/30	80 gal	6502BP	15,080.80
660/900	26/36	80 gal	6504BP	15,864.00



Combination Gate Check Valves

mm	inches	L (mm)
80	3	295
100	4	295
125	5	320
150	6	343
200	8	495
250	10	550
300	12	630

CHECK VALVES



Standard (Table D)

mm	Inches	Code	Price
80	3	6655	1,386.10
100	4	6665	1,505.10
125	5	6675	1,750.60
150	6	6685	1,807.20
200	8	6705	2,616.30
250	10	6725	4,262.60
300	12	6735	5,342.60
350	14	6745	7,053.10
375	15	6755	7,216.90
400	16	6765	7,807.10
450	18	6775	9,149.80
500	20	6785	10,652.80
600	24	6795	12,674.00
660	26	6797	15,609.80
750	30	6805	17,847.20



With Bypass (Table D)

mm	Inches	Bypass Size	Code	Price
80	3	20 copper	6655BP	1,738.70
100	4	20 copper	6665BP	1,883.30
125	5	20 copper	6675BP	2,185.50
150	6	20 copper	6685BP	2,213.40
200	8	20 copper	6705BP	3,038.20
250	10	32 gal	6725BP	4,624.90
300	12	32 gal	6735BP	6,075.50
350	14	40 gal	6745BP	7,991.80
375	15	40 gal	6755BP	8,160.20
400	16	50 gal	6765BP	8,707.20
450	18	50 gal	6775BP	10,044.30
500	20	65 gal	6785BP	11,914.30
600	24	65 gal	6795BP	14,424.40
660	26	80 gal	6797BP	17,471.60
750	30	80 gal	6805BP	18,488.40



Right Angle Discharge Valve (Table D)

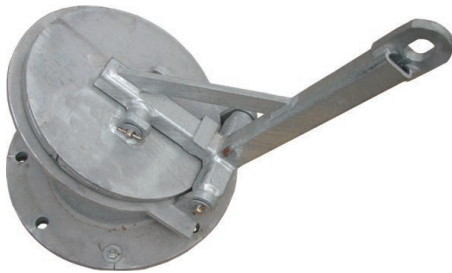
Inlet		Outlet		Code	Price
mm	Inches	mm	Inches		
50&65	2&2½	100&125	4&5	R22545	2,240.40
50&65	2&2½	125&150	5&6	R22556	2,634.40
65&80	2½&3	100&125	4&5	R25345	4,012.30
80&100	3&4	125&150	5&6	R3456	4,079.20
125&150	5&6	200	8	R568	4,328.20

ECO FLAP VALVES



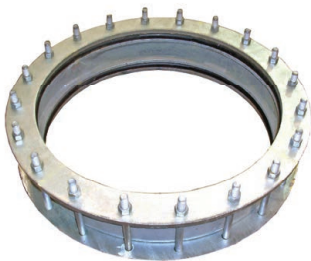
Standard Eco Flap Valve (Table D)

mm	Inches	Code	Price
350	14	ECO3303	3,921.50
400	16	ECO3307	4,080.10
450	18	ECO3312	4,577.90
500	20	ECO3315	4,883.70
600	24	ECO3322	6,036.60
660	26	ECO3323	6,553.10
750	30	ECO3325	8,370.40
800	32	ECO3330	9,817.00
900	36	ECO3335	11,777.50



Heavy Duty Flanged (Table D)

mm	Inches	Code	Price
80	3	3267F	732.40
100	4	3275F	755.50
125	5	3277F	1,019.30
150	6	3285F	1,022.10
200	8	3287F	2,138.60
250	10	3295F	3,622.80
300	12	3297F	3,985.80
350	14	3303F	5,112.70
375	15	3305F	6,275.20
400	16	3307F	5,410.90
450	18	3312F	5,987.50
500	20	3315F	7,210.00
600	24	3322F	7,954.20
750	30	3325F	11,774.70



Gibault Joint

mm	to suit OD	Code	Price
300	324	GJ300	1,415.90
400	407	GJ400	2,220.00
500	508	GJ500	2,509.80
600	640	GJ600	2,733.20
660	660	GJ660	2,802.30
750	762	GJ750	5,071.00
900	914	GJ900	6,798.40
1200	1219	GJ1200	11,905.30
1500	1520	GJ1500	14,882.40

STRAINERS



Suction Strainer (Perforated Sheet)

Size						Code	Price
mm	Inches	Mesh size	Open area	Dia.	H		
50	2	6.35x8.89	46%	90	200	7450	226.00
50	2	6.35x8.89	46%	175	120	7452	255.00
80	3	9.53x14.47	40%	200	400	7454	388.40

Hose Tail Strainer

mm	Inches	mesh	Code	Price
50	2	Punched	7265	244.40
80	3	Punched	7285	277.00
100	4	Punched	7295	284.60
125	5	Punched	7305	304.50
150	6	Punched	7315	349.00
200	8	Punched	7325	410.40

Flanged Strainer (Table D)

mm	Inches	mesh	Code	Price
80	3	Punched	7345	272.00
100	4	Punched	7355	295.40
125	5	Punched	7365	307.30
150	6	Punched	7375	394.10
200	8	Punched	7395	436.40
250	10	Weldmesh	7415	1,452.30
300	12	Weldmesh	7425	1,465.80
350	14	Weldmesh	7435	1,727.00

Leaf and Lint Strainers (Table D)

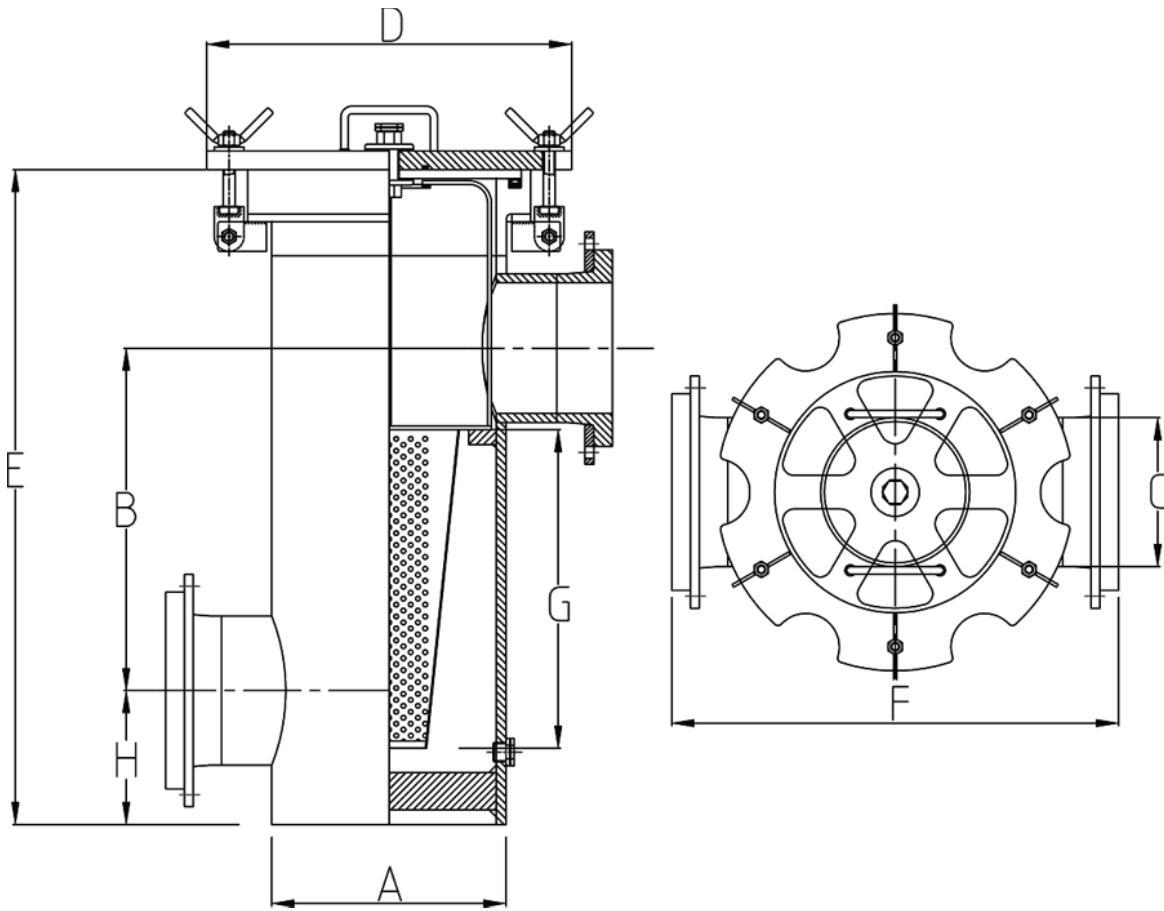
mm	Inches	Code	Price
80	3	7505	4,762.50
100	4	7515	4,895.30
125	5	7525	5,135.50
150	6	7535	5,687.80
200	8	7545	6,929.60

Leaf & Lint Suction Strainers (Table D)

Size	Flow LTR/SEC	Code	Price
LLS-010	10	LLS10	5,153.30
LLS-015	10<15	LLS15	4,801.10
LLS-030	15<30	LLS30	5,290.00
LLS-050	30>50	LLS50	5,673.60
LLS-075	50<75	LLS75	6,785.60
LLS-100	75<100	LLS100	8,521.80
LLS-710	TBA	LLS710	22,610.60

PLEASE NOTE: OUR RANGE OF LEAF & LINT SUCTION STRAINERS ARE NOT PRESSURE RATED.

POLY LEAF AND LINT STRAINER



Strainer	Flow	Inlet	Outlet	A	B	C	D	E	F	G	H
LLS-010	10	90	90	315/17	500	90	480	940	570	475	180
LLS-015	10<15	110	90/110	315/17	500	110	480	940	570	475	180
LLS-030	15<30	160	110/160	315/17	500	160	480	940	570	475	180
LLS-050	30<50	200	160/200	400/17	500	200	570	990	700	475	225
LLS-075	50<75	225	200/225	450/21	500	225	635	1015	760	475	225
LLS-100	75<100	250	225/250	500/21	560	250	680	1140	800	490	250
LLS-710	TBA	355/630	355/630	710/17	766	355	900	1375	1300	n/a	760

PLEASE NOTE: OUR RANGE OF LEAF & LINT SUCTION STRAINERS ARE NOT PRESSURE RATED.

VALVE SPARES



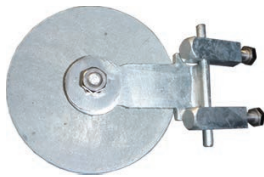
Gate Check Valve Spare Parts - Spindle Only

mm	Inches	Code	Price
80	3	41004	209.90
100	4	41002	218.80
125	5	41007	218.80
150	6	41006	220.40
200	8	41008	274.10



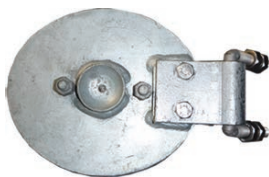
Gate Check Valve Spare Parts - Donkey Complete

mm	Inches	Code	Price
80	3	DON3	416.10
100	4	DON4	417.50
125	5	DON5	417.50
150	6	DON6	423.90
200	8	DON8	439.20



Footvalve Spare Parts - Clack Assembly Complete

mm	Inches	Code	Price
80	3	FCA3	192.70
100	4	FCA4	229.10
125	5	FCA5	243.70
150	6	FCA6	258.20
200	8	FCA8	362.90



Check Valve Spare Parts - Clack Assembly Complete

mm	Inches	Code	Price
80	3	GVCA3	345.50
100	4	GVCA4	350.40
125	5	GVCA5	365.80
150	6	GVCA6	393.10
200	8	GVCA8	613.40



Suction Strainers - Galvanized

Replacement for Rodney's Footvalve

mm	Inches	Mesh	Code	Price
80	3	Punched	7115	91.70
100	4	Punched	7125	99.00
125	5	Punched	7135	115.00
150	6	Punched	7145	147.10
200	8	Punched	7165	199.20

VALVE SPARES



Suction Strainers – Stainless

Replacement for Rodney's Footvalve

mm	Inches	Mesh	Code	Price
80	3	Punched	7115SS	286.10
100	4	Punched	7125SS	301.70
125	5	Punched	7135SS	329.30
150	6	Punched	7145SS	373.70
200	8	Punched	7165SS316	755.10



Check Valve Clack Rubber

mm	Inches	Code	Price
80	3	11085EPDM	18.00
100	4	11095EPDM	23.30
125	5	11105EPDM	25.80
150	6	11115EPDM	30.60
200	8	11135EPDM	46.40



Footvalve Clack Rubber

mm	Inches	Code	Price
80	3	11235EPDM	13.90
100	4	11245EPDM	20.60
125	5	11255EPDM	23.30
150	6	11265EPDM	28.50
200	8	11285EPDM	33.80
250	10	11305EPDM	51.70
300	12	11315EPDM	66.90
350	14	11325EPDM	73.00
375	15	11335EPDM	108.10
400	16	11345EPDM	114.60
450	18	11355EPDM	119.30
500	20	11365EPDM	125.10
600	24	11375EPDM	168.30
750	30	11385EPDM	258.40





GOOSENECKS & FLANGED PIPE

For range and quality, choose Rodney Industries' Goosenecks and Flanged Pipe.

- Large range of sizes available in both galvanised or polyethylene.
- Non standard lengths available on request.

GOOSENECKS

GOOSENECKS



Heavy Duty (Table D)

Degree	Size mm	c/l height mm	Inches	Code	Price
90°	80	600	3	8035	490.90
	100	750	4	8040	556.40
	125	900	5	8045	719.60
	150	900	6	8050	872.10
	200	900	8	8055	1,238.50
45°	80	600	3	8000	535.20
	100	750	4	8005	633.20
	125	900	5	8010	843.30
	150	900	6	8015	913.00
	200	900	8	8020	1,273.80



Goosenecks - Flanged

mm	Size		Code		Price	
	(h)	(l)	SDR17		SDR11	
110	750	980	GN4511017	739.20	GN4511011	762.70
125	900	1150	GN4512517	833.00	GN4512511	860.60
140	900	1150	GN4514017	1,018.00	GN4514011	1,075.90
160	900	1200	GN4516017	1,111.70	GN4516011	1,151.70
200	900	1250	GN4520017	1,359.90	GN4520011	1,430.20
225	900	1250	GN4522517	1,499.30	GN4522511	1,580.60
250	1000	1400	GN4525017	2,259.30	GN4525011	2,416.40
280	1000	1400	GN4528017	2,823.40	GN4528011	3,001.20
315	1250	1660	GN4531517	3,369.60	GN4531511	3,695.00



1.6mm Wall Thickness (Table D)

Length	mm	Inches	Code	Price
900mm	100	4	8520	305.80
	125	5	8580	373.80
	150	6	8640	386.40
1800mm	100	4	8530	312.00
	125	5	8590	382.00
	150	6	8650	444.60
2700mm	100	4	8540	361.30
	125	5	8600	444.60
	150	6	8660	520.60
3600mm	100	4	8550	414.60
	125	5	8610	507.30
	150	6	8670	597.30
4500mm	100	4	8560	465.30
	125	5	8620	571.30
	150	6	8680	671.20
5500mm	100	4	8570	520.60
	125	5	8630	641.30
	150	6	8690	756.70

FLANGED PIPE

2.0mm Wall Thickness (Table D)

Length	mm	Inches	Code	Price
900mm	200	8	8880	541.80
	250	10	9000	745.50
	300	12	9055	870.70
	350	14	9170	1,220.00
	375	15	9300P	1,292.10
	400	16	9360	1,365.50
1800mm	200	8	8885	674.80
	250	10	9010	911.40
	300	12	9070	1,085.70
	350	14	9190	1,486.60
	375	15	9310P	1,541.20
	400	16	9370	1,631.60
2700mm	200	8	8895	809.10
	250	10	9020	1,077.10
	300	12	9090	1,301.90
	350	14	9210	1,749.20
	375	15	9320	1,742.90
	400	16	9390	1,898.80
3600mm	200	8	8905	942.00
	250	10	9030	1,243.10
	300	12	9110	1,519.50
	350	14	9230	2,011.60
	375	15	9330	2,022.80
	400	16	9410	2,164.80
4500mm	200	8	8915	1,070.20
	250	10	9040	1,409.60
	300	12	9130	1,732.30
	350	14	9250	2,276.80
	375	15	9340	2,293.00
	400	16	9430	2,301.40
5500mm	200	8	8925	1,225.60
	250	10	9050	1,596.60
	300	12	9150	1,972.50
	350	14	9270	2,568.10
	375	15	9350	2,572.90
	400	16	9450	2,729.10
	450	18	9570	3,208.40

4.0mm Wall Thickness (Table D)

Length	mm	Inches	Code	Price
900mm	80	3	8100	259.90
	100	4	8130	305.90
	125	5	8160	434.00
	150	6	8190	480.70
	200	8	8220	651.40
	1800mm	80	3	8105
100		4	8135	405.40
125		5	8165	555.30
150		6	8195	625.20
2700mm	200	8	8225	865.30
	80	3	8110	398.00
	100	4	8140	567.30
	125	5	8170	673.20
	150	6	8200	770.50
	200	8	8230	1,050.50
3600mm	80	3	8115	467.90
	100	4	8145	667.30
	125	5	8175	793.90
	150	6	8205	915.90
	200	8	8235	1,234.50
4500mm	80	3	8120	538.00
	100	4	8150	769.30
	125	5	8180	914.60
	150	6	8210	1,061.80
	200	8	8240	1,419.90
5500mm	80	3	8125	615.30
	100	4	8155	879.90
	125	5	8185	1,055.90
	150	6	8215	1,223.20
	200	8	8245	1,624.50

FLANGED PIPE

FLANGED PIPE



Suction Line - Straight - 6 Mtrs

Size mm	SDR17		SDR11	
	Code	Price	Code	Price
90	FP609017	367.20	FP609011	407.50
110	FP611017	468.50	FP611011	553.00
125	FP612517	595.90	FP612511	666.60
140	FP614017	648.60	FP614011	900.70
160	FP616017	816.30	FP616011	927.20
200	FP620017	1,179.40	FP620011	1,423.20
225	FP622517	1,408.00	FP622511	1,672.60
250	FP625017	1,542.50	FP625011	1,997.00
280	FP628017	2,004.00	FP628011	2,304.60
315	FP631517	2,109.20	FP631511	2,868.60
355	FP635517	3,108.60	FP635511	3,400.90

Suction Line - Straight - 12 Mtrs

Size mm	SDR17		SDR11	
	Code	Price	Code	Price
90	FP1209017	486.40	FP1209011	565.40
110	FP1211017	624.90	FP1211011	792.60
125	FP1212517	784.40	FP1212511	925.80
140	FP1214017	853.70	FP1214011	1,348.50
160	FP1216017	1,090.60	FP1216011	1,312.30
200	FP1220017	1,649.20	FP1220011	2,136.90
225	FP1222517	2,020.60	FP1222511	2,548.60
250	FP1225017	2,174.30	FP1225011	3,086.30
280	FP1228017	2,978.20	FP1228011	3,581.00
315	FP1231517	3,050.20	FP1231511	4,531.70
355	FP1235517	4,856.10	FP1235511	5,442.20



Suction Line complete with 45° Sweep Bend - 6 Mtrs

Size mm	SDR17		SDR11	
	Code	Price	Code	Price
90	FPS609017	412.50	FPS609011	448.10
110	FPS611017	566.80	FPS611011	674.40
125	FPS612517	766.10	FPS612511	868.00
140	FPS614017	930.70	FPS614011	1,227.40
160	FPS616017	1,060.90	FPS616011	1,461.00
200	FPS620017	1,552.60	FPS620011	1,893.00
225	FPS622517	1,791.20	FPS622511	2,200.20
250	FPS625017	2,267.80	FPS625011	P.O.A
280	FPS628017	2,658.60	FPS628011	P.O.A
315	FPS631517	3,235.50	FPS631511	P.O.A
355	FPS635517	4,231.60	FPS635511	P.O.A

Suction Line complete with 45° Sweep Bend - 12 Mtrs

Size mm	SDR17		SDR11	
	Code	Price	Code	Price
90	FPS1209017	542.80	FPS1209011	590.10
110	FPS1211017	748.00	FPS1211011	918.90
125	FPS1212517	1,017.80	FPS1212511	1,159.10
140	FPS1214017	1,219.50	FPS1214011	1,743.20
160	FPS1216017	1,420.80	FPS1216011	2,147.80
200	FPS1220017	2,128.20	FPS1220011	2,699.30
225	FPS1222517	2,501.50	FPS1222511	3,172.80
250	FPS1225017	3,154.70	FPS1225011	P.O.A
280	FPS1228017	3,782.00	FPS1228011	P.O.A
315	FPS1231517	4,670.30	FPS1231511	P.O.A
355	FPS1235517	6,051.90	FPS1235511	P.O.A



GALVANISED

STAINLESS & ALUMINIUM FITTINGS

**For range and quality, choose Rodney
Industries' fittings.**

- Large range available including, bends, tees, tapers, joiners.
- We can modify most fittings to suit your requirements.

BENDS



General Purpose 4mm 45° Fixed Flange (Table D)

mm	Inches	Code	Price
80	3	1730	94.80
100	4	1735	140.10
125	5	1740	236.80
150	6	1750	258.80
200	8	1770	506.80



General Purpose 4mm 45° Loose Flange (Table D)

mm	Inches	Code	Price
80	3	2050	102.50
100	4	2060	148.50
125	5	2070	247.50
150	6	2080	273.50
200	8	2100	524.60

Heavy Duty min. 5mm 45° Fixed Flange (Table D)

HEAVY DUTY	mm	Inches	Code	Price
	80	3	1731	288.10
	100	4	1736	247.30
	125	5	1741	337.30
	150	6	1751	327.50
	200	8	1771	620.40
	250	10	1791	919.60
	300	12	1801	1,189.20

Heavy Duty min. 5mm 45° Loose Flange (Table D)

HEAVY DUTY	mm	Inches	Code	Price
	80	3	2051	322.50
	100	4	2061	289.50
	125	5	2071	383.70
	150	6	2081	399.70
	200	8	2101	717.20
	250	10	2121	1,091.00
	300	12	2131	1,386.00



General Purpose 4mm 90° Fixed Flange (Table D)

mm	Inches	Code	Price
80	3	1885	111.80
100	4	1890	167.40
125	5	1900	207.80
150	6	1910	345.00
200	8	1930	621.40



General Purpose 4mm 90° Loose Flange (Table D)

mm	Inches	Code	Price
80	3	2225	118.00
100	4	2230	156.90
125	5	2240	247.50
150	6	2250	321.60
200	8	2270	639.70

Heavy Duty min. 5mm 90° Fixed Flange (Table D)

HEAVY DUTY	mm	Inches	Code	Price
	80	3	1886	193.30
	100	4	1891	224.20
	125	5	1901	299.10
	150	6	1911	342.50
	200	8	1931	649.00
	250	10	1951	975.50
	300	12	1961	1,284.60

Heavy Duty min. 5mm 90° Loose Flange (Table D)

HEAVY DUTY	mm	Inches	Code	Price
	80	3	2226	227.40
	100	4	2231	263.50
	125	5	2241	345.90
	150	6	2251	410.90
	200	8	2271	737.30
	250	10	2291	1,140.20
	300	12	2301	1,473.30

BENDS



2mm Light Wall 45° Fixed Flange (Table D)

mm	Inches	Code	Price
225	9	1780	969.80
250	10	1790	1,203.20
300	12	1800	1,358.80
350	14	1810	1,950.30
375	15	1820	1,942.50
400	16	1830	2,092.50
450	18	1840	2,436.70



2mm Light Wall 45° Loose Flange (Table D)

mm	Inches	Code	Price
225	9	2110	1,034.80
250	10	2120	1,345.20
300	12	2130	1,418.00
350	14	2140	2,126.30
375	15	2150	2,057.80
400	16	2160	2,263.60
450	18	2170	2,880.60



2mm Light Wall 90° Fixed Flange (Table D)

mm	Inches	Code	Price
225	9	1940	1,203.20
250	10	1950	1,564.30
300	12	1960	1,722.70
350	14	1970	2,478.40
375	15	1980	2,382.30
400	16	1990	2,570.20
450	18	2000	2,982.30



2mm Light Wall 90° Loose Flange (Table D)

mm	Inches	Code	Price
225	9	2280	1,259.80
250	10	2290	1,683.00
300	12	2300	1,936.90
350	14	2310	2,655.60
375	15	2320	2,474.20
400	16	2330	3,292.70
450	18	2340	3,429.10

BENDS & TEES



* Denotes Lobster Back Style 2mm Wall

Medium Wall Loose Flange 90°

mm	Inches	Code	Price
80-40	3-1½	2380S	480.80
80-50	3-2	2385S	460.30
80-65	3-2½	2390S	552.10
100-40	4-1½	2410S	523.80
100-50	4-2	2420S	537.90
100-65	4-2½	2430S	579.70
100-80	4-3	2440S	595.30
125-65	5-2½	2450S	591.70
125-80	5-3	2460S	636.30
125-100	5-4	2465S	624.20
150-65	6-2½	2470S	704.80
150-80	6-3	2475S	743.00
150-100	6-4	2480S	783.10
150-125	6-5	2490S	759.90
200-125	8-5	2530S	948.00
200-150	8-6	2540S	878.10
250-150*	10-6*	2590S	1,307.80
250-200*	10-8*	2600S	1,743.40



1.6mm Light Wall (Table D)

mm	Inches	Code	Price
80-50	3-2 branch	6130	437.60
80-80	3-3	6135	434.80
100-80	4-3 branch	6140	472.20
100-100	4-4	6145	481.30
125-100	5-4 branch	6150	540.30
125-125	5-5	6155	575.50
150-100	6-4 branch	6160	592.60
150-150	6-6	6165	607.30
200-150	8-6 branch	6170	762.70
200-200	8-8	6175	839.40
250-250	10-10	6195	1,394.50
300-300	12-12	6205	1,566.20

Heavy Duty (Table D)

mm	Inches	Code	Price
80-80	3	6136	443.20
100-100	4	6146	525.00
125-125	5	6156	639.50
150-150	6	6166	774.00
200-200	8	6176	1,028.80
250-250	10	6196	1,410.00
300-300	12	6206	1,823.00
350-350	14	6219	3,380.20

HEAVY DUTY

TAPERS CONCENTRIC



Light Wall (Table D)

mm	Inches	Code	Price	Code with socket	Price
32-50	1¼-2	4985	234.10	4985S	329.80
32-80	1¼-3	4995	237.00	4995S	332.70
40-50	1½-2	5005	251.30	5005S	P.O.A
40-65	1½-2½	5015	346.70	5015S	P.O.A
40-80	1½-3	5025	255.30	5025S	351.50
40-100	1½-4	5035	268.20	5035S	364.40
50-65	2-2½	5075	271.00	5075S	P.O.A
50-80	2-3	5045	408.20	5045S	504.50
50-100	2-4	5055	276.00	5055S	371.50
50-125	2-5	5065	303.50	5065S	P.O.A
65-80	2½-3	5085	260.30	5085S	356.00
65-100	2½-4	5095	272.40	5095S	368.70
65-125	2½-5	5105	298.60	5105S	394.80
65-150	2½-6	5115	319.30	5115S	415.30
80-100	3-4	5125	313.60	5125S	408.20
80-125	3-5	5135	339.70	5135S	434.50
80-150	3-6	5145	360.20	5145S	456.40
80-200	3-8	5155	364.40	5155S	459.20
100-125	4-5	5165	286.60	5165S	382.10
100-150	4-6	5175	302.20	5175S	397.70
100-175	4-7	5185	351.50	5185S	P.O.A
100-200	4-8	5195	376.50	5195S	472.00
100-225	4-9	5205	444.40	5205S	P.O.A
125-150	5-6	5215	298.60	5215S	394.80
125-175	5-7	5285	362.20	5285S	P.O.A
125-200	5-8	5225	386.40	5225S	482.70
125-225	5-9	5235	462.10	5235S	P.O.A
125-250	5-10	5245	492.50	5245S	P.O.A
150-200	6-8	5255	396.30	5255S	492.50
150-225	6-9	5265	476.90	5265S	P.O.A
150-250	6-10	5275	549.00	5275S	P.O.A
175-200	7-8	5305	453.50	5305S	P.O.A
200-225	8-9	5315	538.40	5315S	P.O.A
200-250	8-10	5325	617.00	5325S	P.O.A
200-300	8-12	5335	692.70	5335S	P.O.A
250-300	10-12	5375	731.60	5375S	P.O.A



SGP General Purpose - 4mm Wall (min.) (Table D)

mm	Inches	Code	Price	Code with socket	Price
50-80	2-3	5045GP	121.40	5045GPS	151.00
50-100	2-4	5055GP	159.70	5055GPS	194.90
65-80	2½-3	5085GP	122.70	5085GPS	157.10
65-100	2½-4	5095GP	159.70	5095GPS	193.50
65-125	2½-5	5105GP	224.40	5105GPS	P.O.A
65-150	2½-6	5115GP	251.50	5115GPS	284.60
80-100	3-4	5125GP	161.20	5125GPS	194.90
80-125	3-5	5135GP	225.90	5135GPS	259.60
80-150	3-6	5145GP	248.10	5145GPS	283.20
100-125	4-5	5165GP	225.90	5165GPS	P.O.A
100-150	4-6	5175GP	265.70	5175GPS	301.40
100-200	4-8	5195GP	389.20	5195GPS	424.90
125-150	5-6	5215GP	264.40	5215GPS	300.00
125-200	5-8	5225GP	377.70	5225GPS	412.70
150-200	6-8	5255GP	386.40	5255GPS	420.80



Heavy Duty - 5mm Wall (min.) (Table D)

HEAVY DUTY	mm	inch	Code	Price	Code with socket	Price
	65-100	2½-4	5097	247.20	5097S	267.80
80-100	3-4	5127	264.90	5127S	P.O.A	
80-150	3-6	5147	288.20	5147S	303.00	
100-125	4-5	5167	312.90	5167S	332.60	
100-150	4-6	5177	350.90	5177S	363.80	
125-150	5-6	5217	366.70	5217S	401.90	
125-200	5-8	5227	500.80	5227S	502.20	
150-200	6-8	5257	529.70	5257S	589.80	
200-250	8-10	5327	791.60	5327S	824.00	
250-300	10-12	5377	1,075.60	5377S	P.O.A	

TAPERS ECCENTRIC



Light Wall (Table D)

mm	Inches	Code	Price	Code with socket	Price
32-50	1¼-2	5645	237.50	5645S	P.O.A
32-80	1¼-3	5655	204.80	5655S	P.O.A
40-50	1½-2	5665	251.80	5665S	P.O.A
40-65	1½-2½	5675	255.90	5675S	P.O.A
40-80	1½-3	5685	398.60	5685S	P.O.A
40-100	1½-4	5695	270.20	5695S	P.O.A
50-65	2-2½	5730	283.60	5730S	P.O.A
50-80	2-3	5710	266.00	5710S	360.90
50-100	2-4	5715	276.70	5715S	372.30
50-125	2-5	5720	346.10	5720S	442.60
65-80	2½-3	5725	260.90	5725S	356.80
65-100	2½-4	5735	273.10	5735S	369.50
65-125	2½-5	5740	299.30	5740S	395.60
65-150	2½-6	5745	318.30	5745S	414.90
80-100	3-4	5750	314.30	5750S	409.20
80-125	3-5	5755	341.80	5755S	436.90
80-150	3-6	5760	360.90	5760S	457.40
80-200	3-8	5765	427.00	5765S	522.70
100-125	4-5	5770	287.20	5770S	382.90
100-150	4-6	5775	302.80	5775S	398.60
100-175	4-7	5780	352.50	5780S	P.O.A
100-200	4-8	5785	377.20	5785S	473.10
100-225	4-9	5790	445.50	5790S	P.O.A
125-150	5-6	5795	299.30	5795S	395.60
125-175	5-7	5845	363.10	5845S	P.O.A
125-200	5-8	5800	387.30	5800S	483.70
125-225	5-9	5805	463.10	5805S	P.O.A
125-250	5-10	5810	493.70	5810S	588.60
150-200	6-8	5815	397.20	5815S	493.70
150-225	6-9	5825	478.00	5825S	P.O.A
150-250	6-10	5835	550.30	5835S	646.80
175-200	7-8	5865	454.50	5865S	P.O.A
200-225	8-9	5875	539.70	5875S	P.O.A
200-250	8-10	5895	618.50	5895S	714.20
200-300	8-12	5905	694.40	5905S	790.80
250-300	10-12	5945	796.30	5945S	892.80



SGP General Purpose - 4mm Wall (min.) (Table D)

mm	Inches	Code	Price	Code with socket	Price
50-80	2-3	5710GP	126.20	5710GPS	192.20
50-100	2-4	5715GP	163.90	5715GPS	194.90
65-80	2½-3	5725GP	126.20	5725GPS	192.20
65-100	2½-4	5735GP	163.90	5735GPS	194.90
65-125	2½-5	5740GP	208.30	5740GPS	239.40
65-150	2½-6	5745GP	265.70	5745GPS	298.80
80-100	3-4	5750GP	165.30	5750GPS	196.40
80-125	3-5	5755GP	209.80	5755GPS	240.80
80-150	3-6	5760GP	261.00	5760GPS	293.50
100-125	4-5	5770GP	233.50	5770GPS	264.40
100-150	4-6	5775GP	277.90	5775GPS	308.20
100-200	4-8	5785GP	408.60	5785GPS	440.40
125-150	5-6	5795GP	273.10	5795GPS	304.10
125-200	5-8	5800GP	397.10	5800GPS	427.60
150-200	6-8	5815GP	402.60	5815GPS	433.70



Heavy Duty - 5mm Wall (min.) (Table D)

mm	Inches	Code	Price	Code with socket	Price
65-100	2½-4	5733	250.80	5733S	341.80
80-100	3-4	5753	268.90	5753S	341.80
80-150	3-6	5763	291.70	5763S	342.50
100-125	4-5	5773	314.20	5773S	354.60
100-150	4-6	5778	355.30	5778S	367.20
125-150	5-6	5798	370.80	5798S	381.50
125-200	5-8	5803	506.40	5803S	596.00
150-200	6-8	5818	532.60	5818S	532.60
200-250	8-10	5898	805.90	5898S	815.00
250-300	10-12	5948	1,029.80	5948S	P.O.A

HEAVY DUTY

ACCESSORIES



Flange Support Bracket

mm	Inches	Code	Price
50	2	FSB2	18.30
80	3	FSB3	28.10
100	4	FSB4	30.60
125	5	FSB5	32.90
150	6	FSB6	32.90
200	8	FSB8	35.20
225	9	FSB9	25.90
250	10	FSB10	79.20
300	12	FSB12	86.30
350	14	FSB14	108.80
375	15	FSB15	150.90
400	16	FSB16	159.40
450*	18*	FSB18	192.20
500*	20*	FSB20	185.50
600*	24*	FSB24	222.20



* Denotes different style for larger brackets.



Adjustable Flange Support Bracket

mm	Inches	Code	Price
80	3	FSB3A	99.00
100	4	FSB4A	99.00
125	5	FSB5A	99.00
150	6	FSB6A	99.00
200	8	FSB8A	99.00



Bore Caps

mm	OD	Size		Code	Price
		Thickness	Slot		
32	230	8	55 x 25W	4200	95.70
40	230	8	55 x 25W	4201	100.50
50	230	8	55 x 25W	4202	102.50
65	230	8	55 x 25W	4203	111.50
80	285	10	70 x 25W	4204	137.30
100	285	10	70 x 25W	4206	155.30



Bore Caps Stainless Steel

mm	OD	Size		Code	Price
		Thickness	Slot		
32	230	8	55 x 25W	4200SS316	229.60
40	230	8	55 x 25W	4201SS316	244.10
50	230	8	55 x 25W	4202SS316	274.50
65	230	8	55 x 25W	4203SS316	289.00
80	285	10	70 x 25W	4204SS316	424.90
100	285	10	70 x 25W	4206SS316	486.90



Bore Caps - Dual FBSP to suit Deep Well Pump

mm	Code	Price
32mm x 40mm	4210G	168.50
40mm x 50mm	4207G	319.40

FLANGES & GASKETS



Weld On Galv (Table D)

mm	Inches	Thickness	Code	Price
50	2	10	10495	27.50
65	2½	10	10505	30.20
80	3	10	10515	33.10
100	4	10	10525	47.70
125	5	10	10535	60.30
150	6	10	10545	69.60
175	7	10	10555	89.90
200	8	12	10565	112.80
225	9	12	10575	139.20
250	10	12	10585	162.10
300	12	12	10595	176.80
350	14	16	10605	297.60
375	15	16	10615	319.40
400	16	16	10625	342.50
450	18	20	10635	503.30
500	20	20	10645	708.90
600	24	20	10655	762.10
750	30	20	10665	1,308.20
900	36	20	10675	1,460.00



Blank Galv

mm	Inches	Thickness	Code	Price
50	2	10	10497	47.70
65	2½	10	10507	51.30
80	3	10	10517	53.40
100	4	10	10527	54.80
125	5	10	10537	61.90
150	6	10	10547	103.20
200	8	12	10567	125.00
250	10	12	10587	175.60
300	12	12	10597	198.00
350	14	16	10607	345.40
375	15	16	10617	386.00
400	16	16	10627	305.30
450	18	20	10637	569.20
500	20	20	10647	684.30
600	24	20	10657	897.70
750	30	20	10667	P.O.A
900	36	20	10677	P.O.A



Rubber Gaskets

mm	Size		Code	Price
	Inches			
40	1½		11395	5.30
50	2		11405	5.30
65	2½		11415	5.30
80	3		11425	6.30
100	4		11435	6.30
125	5		11445	7.40
150	6		11455	7.40
175	7		11465	10.00
200	8		11475	10.00
225	9		11485	10.00

Rubber Gaskets

mm	Size		Code	Price
	Inches			
250	10		11495	12.10
300	12		11505	13.10
350	14		11515	15.20
375	15		11525	21.50
400	16		11535	22.60
450	18		11545	22.60
500	20		11555	30.50
600	24		11565	42.00
750	30		11575	57.80
900	36		11585	72.50

CONNECTORS



Threaded - Hose Ends

mm	Inches	Code	Price
80-50 BSP	3-2	4716	117.00
80-80 BSP	3-3	4726	129.60
100-80 BSP	4-3	4736	142.90
100-100 BSP	4-4	4746	145.60
125-125 BSP	5-5	4756	173.10
150-150 BSP	6-6	4766	240.90



To Hose (Two Beads)

mm	Inches	Code	Price
50	2	3060B2	33.20
65	2½	3070B2	39.50
80	3	3080B2	56.40
100	4	3090B2	85.20
125	5	4000B2	107.00
150	6	4010B2	125.40



Flanged & Threaded BSP (Table D)

mm	Inches	Code	Price
65-65 BSP	2½-2½ BSP	3795	155.50
80-80 BSP	3-3 BSP	3805	157.70
100-100 BSP	4-4 BSP	3815	166.80
125-125 BSP	5-5 BSP	3825	193.00
150-80 BSP	6-3 BSP	4265	301.00
150-125 BSP	6-5 BSP	4285	354.20
150-150 BSP	6-6 BSP	3835	245.60



Enlarging Flanged & Threaded BSP (Table D)

mm	Inches	Code	Price
50-80 BSP	2-3 BSP	3875	245.60
50-100 BSP	2-4 BSP	3885	257.60
65-80 BSP	2½-3 BSP	3920	252.00
80-100 BSP	3-4 BSP	3930	247.10
100-125 BSP	4-5 BSP	3945	261.10
100-150 BSP	4-6 BSP	3950	304.40
125-150 BSP	5-6 BSP	3955	318.60



Reducing Flanged & Threaded BSP (Table D)

mm	Inches	Code	Price
65-50 BSP	2½-2 BSP	4165	166.80
80-50 BSP	3-2 BSP	4185	232.90
100-50 BSP	4-2 BSP	4215	244.20
100-80 BSP	4-3 BSP	4235	244.20
125-80 BSP	5-3 BSP	4245	286.10
125-100 BSP	5-4 BSP	4255	301.00
150-100 BSP	6-4 BSP	4275	317.40

FLANGED CONNECTORS



1.6mm Wall Thickness (Table D)

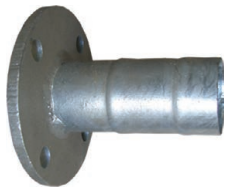
Length	mm	Inches	Code	Price
300mm	80	3	3600	206.50
	100	4	3610	227.60
	125	5	3620	274.70
	150	6	3630	316.40
	200	8	3650	438.30
	250	10	3670	613.80
	300	12	3680	685.20
600mm	80	3	3605	216.70
	100	4	3615	242.90
	125	5	3625	294.00
	150	6	3635	339.90
	200	8	3655	478.50
	250	10	3675	665.00
	300	12	3685	751.70

4mm min. Wall Thickness (Table D)

Length	mm	Inches	Code	Price
300mm	80	3	3601	207.90
	100	4	3611	236.90
	125	5	3621	313.70
	150	6	3631	335.90
	200	8	3651	586.80
	250	10	3671	688.50
	300	12	3681	701.40
600mm	80	3	3606	228.90
	100	4	3616	271.20
	125	5	3626	353.30
	150	6	3636	381.70
	200	8	3656	629.30
	250	10	3676	953.10
	300	12	3686	1,182.50

HEAVY DUTY

FLANGED HOSE ENDS



STRAIGHT: 1.6mm Wall Light Duty (Table D)

mm	inch	Code	Price
80	3	4356	91.30
100	4	4366	103.80
125	5	4376	134.00
150	6	4386	157.20
200	8	4406	169.00
250	10	4426	240.00
300	12	4436	529.00



REDUCING: 1.6mm Wall Light Duty (Table D)

mm	Inches	Code	Price
80- 50	3-2	4786	96.90
100- 50	4-2	4796	188.00
100- 80	4-3	4806	192.20
125- 80	5-3	4816	222.40
125-100	5-4	4826	196.50
150- 80	6-3	4986	216.70
150-100	6-4	4836	342.40
150-125	6-5	4846	235.00
200-100	8-4	4856	316.50
200-150	8-6	4866	406.30



ECCENTRIC: 1.6mm Wall Light Duty (Table D)

mm	Inches	Code	Price
80-100	3-4	4547	275.10
80-125	3-5	4557	267.20
80-150	3-6	4567	320.60
100-125	4-5	4577	310.90
100-150	4-6	4587	343.80
125-150	5-6	4597	338.20



ENLARGING: 1.6mm Wall Light Duty (Table D)

mm	Inches	Code	Price
50- 80	2-3	4546	112.80
50-100	2-4	4556	256.90
65- 80	2½ -3	4566	129.80
65-100	2½ -4	4576	254.80
80-100	3-4	4586	167.80
80-125	3-5	4596	267.20
80-150	3-6	4606	282.80
100-125	4-5	4616	226.00
100-150	4-6	4626	413.20
125-150	5-6	4636	197.90
200-250	8-10	4656	416.00

HOSE JOINERS, TAILS & CLAMPS



**HOSE JOINER - Single Bead to Each End:
MIN 1.6mm Wall Light Duty**

mm	Inches	Code	Price
50	2	3060	39.50
65	2½	3070	42.20
80	3	3080	45.10
100	4	3090	49.40
125	5	4000	82.40
150	6	4010	104.30
200	8	4020	147.90



Machined – Suit Standard Layflat Hose

mm	Inches	Code	Price
110	4	4978	328.30
114	4½	4980	345.30
125	5	4982	353.00
150	6	4984	399.20



HEAVY DUTY HOSE JOINER (MACHINED) (Table D)

mm	Inches	Code	Price
80	3	3080HD	154.20
100	4	3090HD	219.00
125	5	4000HD	342.20
150	6	4010HD	418.90



Standard Stainless Steel

mm	Inches	Code	Price
100	4	4905SS	54.00
125	5	4915SS	55.40
150	6	4925SS	56.90
200	8	4945SS	58.20



HEAVY DUTY HOSE TAIL (MACHINED)

mm	Inches	Code	Price
80	3	4356HD	164.90
100	4	4366HD	210.60
125	5	4376HD	299.60
150	6	4386HD	369.70
200	8	4406HD	865.80
250	10	4426HD	1,256.00



Standard Zinc Plated

mm	Inches	Code	Price
80	3	4895	24.90
100	4	4905	27.00
125	5	4915	29.20
150	6	4925	30.90
200	8	4945	48.50

REDUCERS & TEES



Standard

mm	inch	Code	Price
80-50	3-2	495	69.70
100-50	4-2	515	71.00
100-80	4-3	525	81.20
125-80	5-3	535	118.70
125-100	5-4	545	88.90
150-125	6-5	555	92.90
150-100	6-4	565	234.60



Special - To Suit Irrigation Hose

mm	inch	Code	Price
80-65	3-2 1/2	496	180.40
100-89	4-3 1/2	526	195.90
125-89	5-3 1/2	536	290.10
125-114	5-4 1/2	546	213.80



Standard

mm	inch	Code	Price
50	2	25	65.70
80	3	35	74.80
100	4	45	92.90
125	5	55	100.60
150	6	65	147.00



Single Reducing

mm	inch	Code	Price
80-80-50	3-3-2	95	73.40
100-100-50	4-4-2	105	77.30
100-100-80	4-4-3	115	85.00
125-125-50	5-5-2	125	95.50
125-125-100	5-5-4	135	105.80
150-150-125	6-6-5	145	139.20



Double Reducing

mm	inch	Code	Price
80-50-50	3-2-2	155	132.80
100-50-50	4-2-2	165	136.60
100-80-80	4-3-3	175	147.00
125-100-100	5-4-4	185	158.50
150-125-125	6-5-5	195	180.40



Threaded Branch

mm	inch	Code	Price
50-50-50	2-2-2	235	87.70
80-80-50	3-3-2	240	96.70
80-80-80	3-3-3	245	113.50
80-80-100	3-3-4	265	213.80
100-100-50	4-4-2	275	107.00
100-100-80	4-4-3	285	118.70
100-100-100	4-4-4	295	122.50
125-125-50	5-5-2	305	131.60
150-150-100	6-6-4	315	166.20

CROSSES



Standard

mm	inch	Code	Price
50	2	325	73.40
80	3	335	79.90
100	4	345	99.20
125	5	355	128.90
150	6	365	184.30



Single Reducing

mm	inch	Code	Price
80-80-80-50	3-3-3-2	375	91.50
100-100-100-80	4-4-4-3	385	117.30
125-125-125-100	5-5-5-4	395	144.50
150-150-150-125	6-6-6-5	405	186.90



Double Reducing

mm	inch	Code	Price
80-80-50-50	3-3-2-2	415	77.30
100-100-50-50	4-4-2-2	425	92.90
100-100-80-80	4-4-3-3	435	95.50
125-125-100-100	5-5-4-4	445	122.50
150-150-125-125	6-6-5-5	455	177.80

BENDS



Standard 45°

mm	Inches	Code	Price
50	2	795	51.60
80	3	810	54.10
100	4	815	69.70
125	5	820	85.00
150	6	825	114.60



Standard 90°

mm	Inches	Code	Price
50	2	675	54.10
80	3	685	61.90
100	4	695	73.40
125	5	705	87.70
150	6	715	117.30



Reducing 45°

mm	Inches	Code	Price
80-50	3-2	845	113.50
100-80	4-3	855	136.60
125-100	5-4	865	157.40
150-125	6-5	875	183.00



Reducing 90°

mm	Inches	Code	Price
80-50	3-2	745	143.10
100-50	4-2	755	162.30
100-80	4-3	765	172.70
150-100	6-4	775	386.60
125-100	5-4	780	187.00
150-125	6-5	785	224.30

STARTERS & ENDS



BSP Starter

mm	Inches	Code	Price
50-40 BSP	2-1½	1125	43.90
50-50 BSP	2-2	1135	51.60
50-80 BSP	2-3	1145	152.70
80-40 BSP	3-1½	1165	65.70
80-50 BSP	3-2	1175	71.00
80-65 BSP	3-2½	1185	79.90
80-80 BSP	3-3	1190	81.20
80-100 BSP	3-4	1195	96.70
100-40 BSP	4-1½	1205	87.70
100-50 BSP	4-2	1215	100.60
100-65 BSP	4-2½	1225	87.70
100-80 BSP	4-3	1235	96.70
100-100 BSP	4-4	1245	99.20



Stop Ends

mm	Inches	Code	Price
50	2	975	25.80
80	3	985	37.30
100	4	995	41.20
125	5	1005	55.40
150	6	1010	74.80



Hose Joiner (Bead Each End)

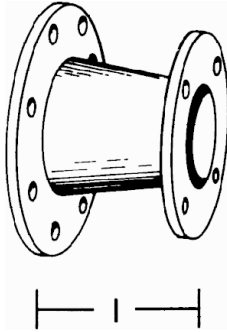
mm	Inches	Code	Price
50	2	1035BEE	23.20
80	3	1045BEE	23.20
100	4	1055BEE	33.50
125	5	1065BEE	40.00
150	6	1075BEE	51.60



Hose Ends

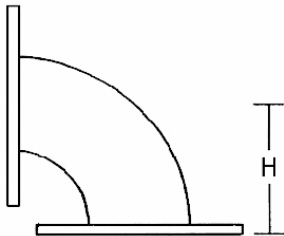
mm	Inches	Code	Price
50	2	1035	21.80
80	3	1045	21.80
100	4	1055	28.30
125	5	1065	32.30
150	6	1075	41.20

STANDARD DIMENSIONS



Galvanized Tapers

mm	inches	Light Wall L (mm)	Med Wall L (mm)	Heavy Duty L (mm)
40 – 80	1 ½ - 3	160	-	89
50 – 80	2 – 3	160	111	89
50 – 100	2 – 4	160	124	102
65 – 80	2 ½ - 3	160	111	89
80 – 100	3 – 4	160	124	102
80 – 125	3 – 5	160	149	127
80 – 150	3 – 6	160	162	140
100 – 125	4 – 5	160	149	127
100 – 150	4 – 6	160	162	140
125 – 150	5 – 6	160	160	140
125 – 200	5 – 8	220	174	152
150 – 200	6 – 8	220	174	152
200 – 250	8 – 10	220	-	178
200 – 300	44903	220	-	203



Galvanized 90° Bends

mm	inches	Light Wall H (mm)	Med Wall H (mm)	Heavy Duty H (mm)
80	3	124	124	114
100	4	210	162	152
125	5	250	200	190
150	6	290	240	230
200	8	302	317	305
250	10	385	-	385
300	12	457	-	457





FLOATS & PONTOONS

With a large selection of standard sizes available, Rodney Industries' offers an Australian Made floats and pontoons designed for Australian conditions.

Features of our Floats and Pontoons Include:

- Designs include single or double style.
- Variations on standard sizes available.
- All tethering lugs have metal ferrules to prevent cable cutting/sawing.
- Adjustable sled to the batter angle (slope angle) of ponds, dams, rivers.
- Configured for suction line, footvalves or submersible pumps.

FLOATS & PONTOONS

FLOATS AND PONTOONS



Floats - Single

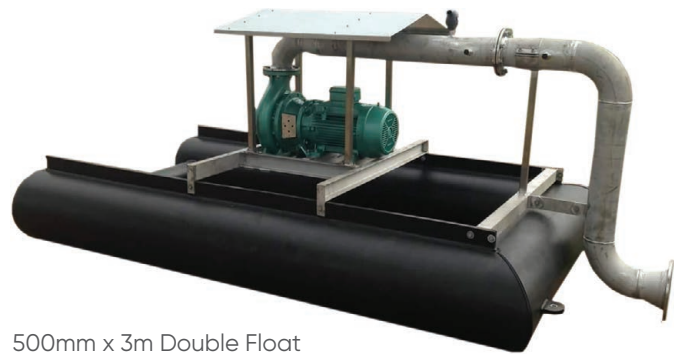
DIA	Size		Code	Price
	Length	Load Capacity		
160	1500	15 kg	F1601500	488.20
200	1000	15 kg	F2001000	548.90
200	1500	21 kg	F2001500	563.00
200	2000	29 kg	F2002000	578.60
250	1500	34 kg	F2501500	670.30
315	1500	53 kg	F3151500	808.50
315	2000	71 kg	F3152000	884.70
315	2500	89 kg	F3152500	921.40
315	3000	106 kg	F3153000	958.20
355	2500	112 kg	F3552500	1,319.20
355	3000	135kg	F3553000	1,377.20

Floats - Double

DIA	Size		Code	Price
	Length	Load Capacity		
200	1500	43kg	FD2001500	1,745.30
200	2000	57kg	FD2002000	2,916.40
250	2500	111 kg	FD2502500	3,004.00
250	3000	134 kg	FD2503000	3,080.30
315	2500	177 kg	FD3152500	3,675.70
315	3000	250 kg	FD3153000	3,751.80
355	2500	225 kg	FD3552500	4,477.10
355	3000	269 kg	FD3553000	4,629.50
400	2500	285 kg	FD4002500	5,474.70
450	3000	433 kg	FD4503000	6,429.70



*Five lugs included on 160mm floats



500mm x 3m Double Float

OUR 'FAB' CREATIONS



630mm x 4.5m Double Float



Poly Pontoon with Galv Support Frame



PUMP PONTOONS



HASSLE FREE PUMP HANDLING & PROTECTION

Built from the ground up to be the most adaptable, unmanned floating structures. All of the UAT modular flotation systems support an enormous range of pumps (up to 5 tonne).

Multiple configurations are available with all designs being immensely robust. With the ability to package down into an extremely compact form factor, moving and storing the units is particularly easy. UAT's interchangeable component design will allow you to customise and grow your structure to suit your future needs.

Custom built for both submersible and surface pumps, these pump floats are made to last.

Complete protection for all of your pumps:

- Tough and durable
- A truly modular concept – all modules are interchangeable in a 'snap together' configuration
- Chemical resistant construction
- Handling advantages and options include Crane, Dozer, Excavator, Truck, Trailer, Workshop
- Efficient storage (small footprint and stackable)
- Easy to handle and manoeuvre

WHO IS IT FOR?

With proven designs to safely and easily position, handle and manoeuvre submersible pumps from 50kg to 5,000kg, we protect your most valuable assets.






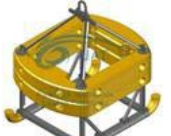

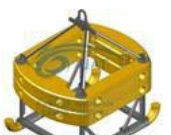
For use in:

- Mining
- Utilities and Wastewater Treatment Plants
- Wastewater Ponds, Lagoons and Tanks
- Agribusiness, Feedlots, Piggeries, Dairies
- Abattoirs
- Heavy Industry
- Refineries
- Oil and Gas
- Recreational Water Bodies, Parks and Lakes
- Industry, Pulp and Paper Mills, Starch Factories

PUMP PONTOONS



FLOATS AND PONTOONS

Example Image (actual colour will be BLUE)	Max Pump Weight (Kg)	Pontoon Assembled Weight Ex- cluding Pump (Kg)	Assembled Dimensions L x W x H	Filling	Code	Price
	180kg	95	1916 x 1874 x 1341	Non Foam Filled	SK-300-A	\$5,402
	120kg	161	2390 x 1874 x 1847	Non Foam Filled	SK-300-AS	\$6,008
	450kg	148	1916 x 1874 x 1602	Non Foam Filled	SK-600-A	\$8,048
	400kg	214	2390 x 1874 x 2109	Non Foam Filled	SK-600-AS	\$9,811
	1800kg	467	2700 x 2260 x 2047	Non Foam Filled	SK-2000-A	\$8,377
	1400kg	750	2796 x 2260 x 3070	Non Foam Filled	SK-2000-AS	\$24,804
	1800kg	467	2700 x 2260 x 2047	Foam Filled	SK-2000-A-FF	\$18,741
	1400kg	750	2796 x 2260 x 3070	Foam Filled	SK-2000-AS-L-FF	\$28,662

* Actual colour will be blue



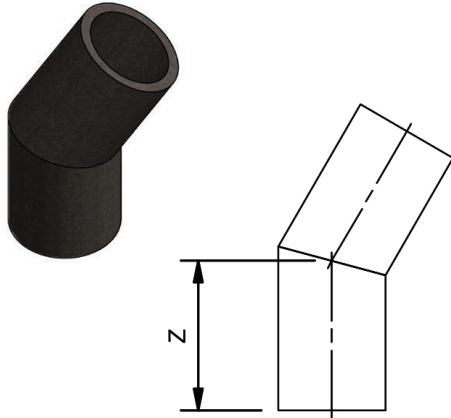
POLYETHYLENE FITTINGS

For range and quality, choose Rodney Industries' fittings.

We offer a large selection of polyethylene fittings including:

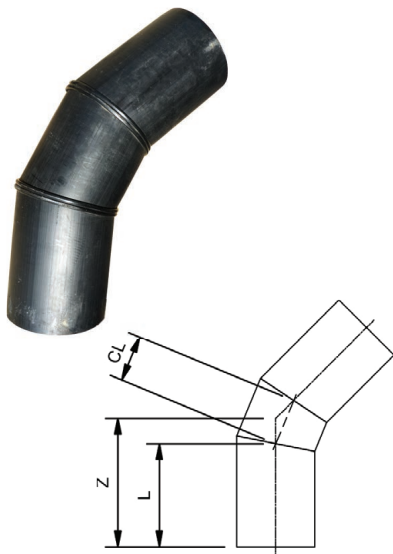
- Bends
- Tees
- Elbows
- Stub Flanges
- Reducers

SEGMENTED BENDS



Segmented Bends - 30°

Size		Code	Price	Code	Price
DN	Z	SDR17		SDR11	
250	350	SEG2503017	400.80	SEG2503011	462.10
280	363	SEG2803017	457.20	SEG2803011	542.00
315	428	SEG3153017	550.10	SEG3153011	669.60
355	443	SEG3553017	648.80	SEG3553011	803.80
400	461	SEG4003017	821.10	SEG4003011	1,025.80
450	481	SEG4503017	1,040.90	SEG4503011	1,311.30
500	551	SEG5003017	1,311.30	SEG5003011	1,699.00
560	575	SEG5603017	1,568.60	SEG5603011	2,073.90
630	603	SEG6303017	1,422.10	SEG6303011	2,692.40
710	635	SEG7103017	P.O.A	SEG7103011	P.O.A
800	671	SEG8003017	P.O.A	SEG8003011	P.O.A



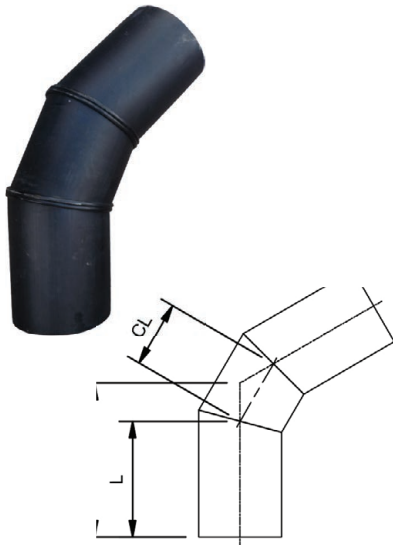
Segmented Bends - 45°

Size				Code	Price	Code	Price
DN	Z	L	CL	SDR17		SDR11	
250	412	330	150	SEG2504517	681.90	SEG2504511	757.60
280	474	383	167	SEG2804517	1,047.40	SEG2804511	1,143.30
315	498	395	190	SEG3154517	1,214.60	SEG3154511	1,360.30
355	520	406	211	SEG3554517	1,397.00	SEG3554511	1,635.00
400	548	420	238	SEG4004517	1,743.10	SEG4004511	2,001.80
450	580	435	270	SEG4504517	2,086.10	SEG4504511	2,412.10
500	665	501	306	SEG5004517	2,478.40	SEG5004511	2,950.50
560	698	517	334	SEG5604517	2,907.80	SEG5604511	3,540.10
630	741	538	375	SEG6304517	2,166.20	SEG6304511	4,271.10
710	791	582	428	SEG7104517	P.O.A	SEG7104511	P.O.A
800	847	611	455	SEG8004517	P.O.A	SEG8004511	P.O.A

Please note:

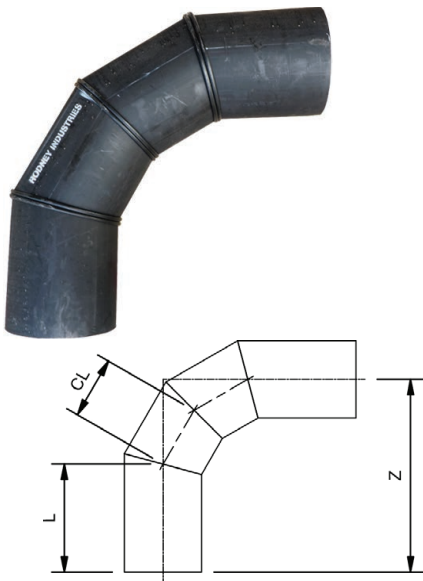
De-ration of our range of fabricated polyethylene fittings must be taken into account when designing a pipe system.

SEGMENTED BENDS



Segmented Bends - 60°

DN	Size			Code		Price	
	Z	L	CL	SDR17		SDR11	
250	466	350	201	SEG2506017	699.30	SEG2506011	809.60
280	492	363	225	SEG2806017	1,112.30	SEG2806011	1,238.50
315	576	428	256	SEG3156017	1,241.40	SEG3156011	1,400.00
355	608	443	286	SEG3556017	1,464.10	SEG3556011	1,685.40
400	646	461	322	SEG4006017	1,831.00	SEG4006011	2,132.40
450	689	481	362	SEG4506017	2,273.50	SEG4506011	2,692.40
500	783	551	402	SEG5006017	2,684.40	SEG5006011	3,254.60
560	835	575	450	SEG5606017	3,249.60	SEG5606011	3,921.30
630	896	603	506	SEG6306017	2,191.40	SEG6306011	4,996.90
710	965	635	570	SEG7106017	P.O.A	SEG7106011	P.O.A
800	1043	671	643	SEG8006017	P.O.A	SEG8006011	P.O.A



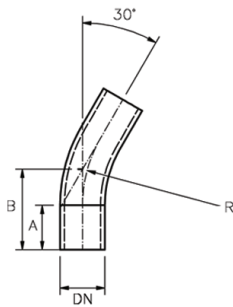
Segmented Bends - 90°

DN	Size			Code		Price	
	Z	L	CL	SDR17		SDR11	
250	625	350	201	SEG2509017	1,301.10	SEG2509011	1,409.30
280	670	363	225	SEG2809017	1,459.60	SEG2809011	1,608.20
315	778	428	256	SEG3159017	1,628.30	SEG3159011	1,826.70
355	833	443	286	SEG3559017	1,975.20	SEG3559011	2,245.50
400	900	461	322	SEG4009017	2,410.50	SEG4009011	2,797.70
450	975	481	362	SEG4509017	2,879.90	SEG4509011	3,394.50
500	1100	551	402	SEG5009017	3,531.50	SEG5009011	4,474.40
560	1190	575	450	SEG5609017	4,285.40	SEG5609011	5,550.50
630	1295	603	506	SEG6309017	P.O.A	SEG6309011	6,312.50
710	1414	635	570	SEG7109017	P.O.A	SEG7109011	P.O.A
800	1550	671	643	SEG8009017	P.O.A	SEG8009011	P.O.A

Please note: De-ration of our range of fabricated polyethylene fittings must be taken into account when designing a pipe system.

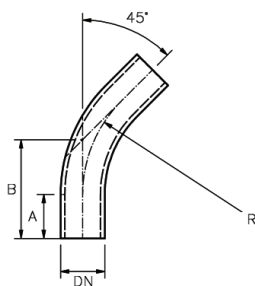
SWEEP BENDS

SWEEP BENDS



Sweep Bends - 30°

Size				Code	Price	Code	Price
DN	B	A	R	SDR17		SDR11	
63	114	63	189	SW0633017	95.20	SW0633011	96.70
75	135	75	225	SW0753017	101.20	SW0753011	102.80
90	162	90	270	SW0903017	102.80	SW0903011	108.10
110	198	110	330	SW1103017	144.20	SW1103011	148.00
125	225	125	375	SW1253017	185.00	SW1253011	194.20
140	266	140	470	SW1403017	230.30	SW1403011	241.80
160	289	160	480	SW1603017	276.50	SW1603011	294.60
180	338	180	590	SW1803017	328.50	SW1803011	355.10
200	361	200	600	SW2003017	380.00	SW2003011	415.50
225	406	225	675	SW2253017	426.00	SW2253011	491.70
250	451	250	750	SW2503017	518.10	SW2503011	586.10
280	505	280	840	SW2803017	608.00	SW2803011	700.10
315	568	315	945	SW3153017	766.00	SW3153011	917.60
355	640	355	1065	SW3553017	914.70	SW3553011	1,122.30



Sweep Bends - 45°

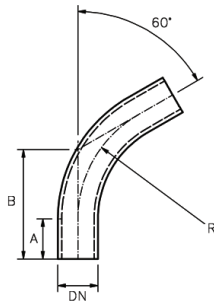
Size				Code	Price	Code	Price
DN	B	A	R	SDR17		SDR11	
63	141	63	189	SW0634517	96.70	SW0634511	98.30
75	168	75	225	SW0754517	102.80	SW0754511	104.30
90	202	90	270	SW0904517	104.30	SW0904511	109.50
110	247	110	330	SW1104517	145.70	SW1104511	152.60
125	280	125	375	SW1254517	190.40	SW1254511	202.40
140	335	140	470	SW1404517	234.90	SW1404511	250.10
160	359	160	480	SW1604517	284.60	SW1604511	304.40
180	424	180	590	-	-	SW1804511	371.60
200	449	200	600	SW2004517	395.10	SW2004511	435.70
225	505	225	675	SW2254517	438.80	SW2254511	516.60
250	561	250	750	SW2504517	544.40	SW2504511	623.90
280	628	280	840	SW2804517	642.70	SW2804511	753.00
315	706	315	945	SW3154517	766.00	SW3154511	917.60
355	796	355	1065	SW3554517	925.80	SW3554511	1,140.50

Please note: The above dimensions are provided as a guide only. Accuracy of the above data is not guaranteed and dimensions may change without notice.



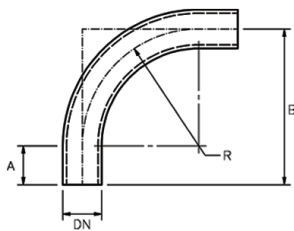
Hard Back Sweep Bends available upon request. Contact our Sales Department for more information and pricing.

SWEEP BENDS



Sweep Bends - 60°

DN	Size			Code	Price	Code	Price
	B	A	R	SDR17		SDR11	
63	172	63	189	SW0636017	96.70	SW0636011	98.30
75	205	75	225	SW0756017	102.80	SW0756011	104.30
90	246	90	270	SW0906017	104.30	SW0906011	111.80
110	301	110	330	SW1106017	149.60	SW1106011	155.70
125	342	125	375	SW1256017	194.20	SW1256011	205.40
140	411	140	470	SW1406017	239.40	SW1406011	258.40
160	437	160	480	SW1606017	290.80	SW1606011	315.70
180	521	180	590	SW1806017	352.10	SW1806011	390.40
200	546	200	600	SW2006017	407.80	SW2006011	457.80
225	615	225	675	SW2256017	457.80	SW2256011	548.30
250	683	250	750	SW2506017	572.40	SW2506011	665.40
280	765	280	840	SW2806017	690.50	SW2806011	823.40
315	861	315	945	SW3156017	941.00	SW3156011	1,176.80
355	970	355	1065	SW3556017	1,011.30	SW3556011	1,267.40

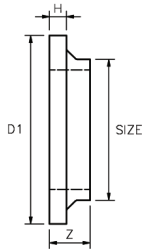


Sweep Bends - 90°

DN	Size			Code	Price	Code	Price
	B	A	R	SDR17		SDR11	
63	252	63	189	SW0639017	96.70	SW0639011	99.60
75	300	75	225	SW0759017	104.30	SW0759011	108.10
90	360	90	270	SW0909017	109.50	SW0909011	116.40
110	440	110	330	SW1109017	152.60	SW1109011	162.30
125	500	125	375	SW1259017	200.10	SW1259011	218.30
140	610	140	470	SW1409017	253.00	SW1409011	276.50
160	640	160	480	SW1609017	308.20	SW1609011	339.10
180	770	180	590	-	-	SW1809011	426.00
200	800	200	600	SW2009017	437.30	SW2009011	500.90
225	900	225	675	SW2259017	491.70	SW2259011	612.60
250	1000	250	750	SW2509017	634.40	SW2509011	756.10
280	1120	280	840	SW2809017	767.40	SW2809011	939.50
315	1260	315	945	SW3159017	941.00	SW3159011	1,176.80
355	1420	355	1065	SW3559017	1,169.90	SW3559011	1,506.10

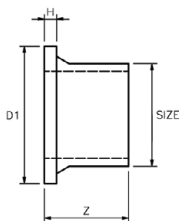
Please note: The above dimensions are provided as a guide only. Accuracy of the above data is not guaranteed and dimensions may change without notice.

STUB FLANGES



Stub Flange - Short Spigot

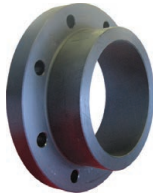
mm	Size			Code	Price	Code	Price
	D1	Z	H	SDR17		SDR11	
63	96	50	14	SF06317	10.10	SF06311	10.10
75	108	50	14	SF07517	11.30	SF07511	11.30
90	128	60	14	SF09017	13.90	SF09011	11.30
110	160	60	14	SF11017	17.80	SF11011	17.80
125	192	65	25	SF12517	21.40	SF12511	21.40
140	192	65	25	SF14017	32.80	SF14011	47.90
160	217	65	25	SF16017	31.60	SF16011	29.10
180	274	75	25	SF18017	47.90	SF18011	47.90
200	274	75	25	SF20017	53.00	SF20011	61.90
225	274	75	25	SF22517	58.00	SF22511	71.90
250	334	80	30	SF25017	85.80	SF25011	83.20
280	334	80	30	SF28017	93.40	SF28011	93.40
315	380	80	30	SF31517	111.00	SF31511	130.00
355	444	90	40	SF35517	141.30	SF35511	174.10
400	495	90	40	SF40017	180.40	SF40011	246.10
450	545	90	40	SF45017	234.60	SF45011	415.10
500	602	105	50	SF50017	305.30	SF50011	432.80
560	657	105	55	SF56017	432.80	SF56011	465.50
630	714	105	55	SF63017	476.90	SF63011	557.80



Stub Flange - Long Spigot

mm	Size			Code	Price	Code	Price
	D1	Z	H	SDR17		SDR11	
63	96	91	14	SF06317EF	10.10	SF06311EF	10.10
75	108	96	14	SF07517EF	11.30	SF07511EF	11.30
90	128	106	14	SF09017EF	13.90	SF09011EF	13.90
110	160	116	14	SF11017EF	18.90	SF11011EF	18.90
125	192	126	25	SF12517EF	22.70	SF12511EF	25.30
140	192	132	25	SF14017EF	32.80	SF14011EF	35.30
160	217	142	25	SF16017EF	35.30	SF16011EF	39.10
180	274	157	25	SF18017EF	53.00	SF18011EF	53.00
200	274	157	25	SF20017EF	65.60	SF20011EF	71.90
225	274	200	25	SF22517EF	73.20	SF22511EF	73.20
250	334	205	30	SF25017EF	107.20	SF25011EF	123.60
280	334	280	30	SF28017EF	190.40	SF28011EF	145.20
315	444	280	30	SF31517EF	180.40	SF31511EF	191.80
355	495	290	40	SF35517EF	295.40	SF35511EF	519.80
400	545	290	40	SF40017EF	407.60	SF40011EF	891.20

MAXI STUBS



Note: Standard Maxi Stub - SDR 11 PE100 drilled to suit Table D backing ring. Other sizes available upon application.

Maxi Stub Short Spigot

Pipe Ø	Size		OD	Code	Price
	inches	mm			
125	4	100	215	MX412511D	33.30
160	5	125	225	MX516011D	46.80
180	6	150	280	MX618011D	54.10
200	6	150	280	MX620011D	149.80
225	8	200	335	MX822511D	387.90
250	8	200	335	MX825011D	114.40
280	9	225	370	MX928011D	222.60
280	10	250	405	MX1028011D	157.60
315	10	250	405	MX1031511D	209.20
355	12	300	455	MX1235511D	260.00



Maxi Stub Long Spigot Suitable for Electrofusion or Buttwelding

Pipe Ø	Size		OD	Code	Price
	inches	mm			
125	4	100	215	MX412511DEF	47.80
180	6	150	280	MX618011DEF	69.70
250	8	200	335	MX825011DEF	120.60
315	10	250	405	MX1031511DEF	233.60
355	12	300	455	MX1235511DEF	286.00



Backing Ring to Suit Maxi Stub

Backing Ring mm	Size		Pipe mm	Code	Price
	To Suit Maxi inches				
100	4		125	BRX4140D	52.00
125	5		160	BRX5160D	83.70
150	6		200	BRX6200D	21.80
200	8		250	BRX8250D	42.60
225	9		280	BRX9280D	108.20
250	10		315	BRX10315D	48.90
300	12		355	BRX12355D	126.90



Maxi Stub Assembly complete with Stainless Steel 316 Backing Ring

Pipe Ø	Size		OD	Code	Price
	inches	mm			
125	4	100	215	MX412511EFASSY	129.00
180	6	150	280	MX618011EFASSY	192.40
200	6	150	280	MX620011EFASSY	357.80
225	8	200	335	MX822511EFASSY	859.00
250	8	200	335	MX825011EFASSY	315.10
280	9	225	370	MX928011EFASSY	626.10
315	10	250	405	MX1031511EFASSY	436.80
355	12	300	455	MX1235511EFASSY	592.80

SPACERS AND SHOULDERED ENDS

SPACERS AND SHOULDERED ENDS



Stub Flange - Chamfered for Butterfly Valve SDR11

Size	Code	Price
110	SF11011EFBV	40.40
160	SF16011EFBV	59.50
200	SF20011EFBV	104.60
225	SF22511EFBV	104.60
250	SF25011EFBV	171.70
280	SF28011EFBV	175.60
315	SF31511EFBV	278.80



Valve Spacer - Wafer Style

Pipe OD	Spacer OD	Size				Code	Price
		ID-1	ID-2	THK	Angle		
110	160	89	99	14	20	VSW11011	7.90
125	192	102	125	25	25	VSW12511	18.50
140	192	114	132	25	20	VSW14011	43.70
160	213	130	153	25	25	VSW16011	18.50
200	270	163	209	40	30	VSW20011	43.70
225	270	183	206	25	25	VSW22511	26.40
250	334	203	259	60	25	VSW25011	98.00
280	334	228	263	30	30	VSW28011	55.60
315	380	256	325	60	30	VSW31511	124.60
355	444	289	358	60	30	VSW35511	163.00
400	495	325	418	100	25	VSW40011	235.80
450	545	366	459	100	25	VSW45011	371.00
500	602	407	500	100	25	VSW50011	437.20



Shouldered Ends

Size	Code		Price		
	SDR17	SDR11	SDR17	SDR11	
90	SE09017		21.40	SE09011	21.40
90	SE09017EF		21.40	SE09011EF	21.40
110	SE11017		22.70	SE11011	22.70
110	SE11017EF		25.30	SE11011EF	25.30
160	SE16017		35.30	SE16011	35.30
160	SE16017EF		43.00	SE16011EF	43.00
200	SE20017		83.20	SE20011	83.20
225	SE22517		89.60	SE22511	89.60

Note: EF Codes represent Long Spigot Shouldered Ends. Not suitable for Electrofusion.

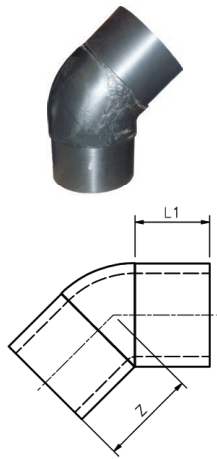
NUTS, BOLTS AND GASKET KITS



Nuts, Bolts and Gasket Kits

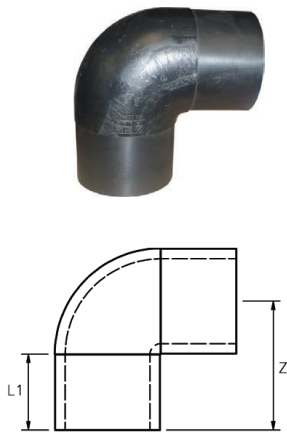
Gasket Size mm	Nut & Bolt Qty	Washer Qty	Code	Price
63	4	8	GK063D	55.60
75	4	8	GK075D	55.60
90	4	8	GK090D	61.70
110	4	8	GK110D	66.90
125	8	16	GK125D	83.50
140	8	16	GK140D	83.50
160	8	16	GK160D	83.50
180	8	16	GK180D	95.90
200	8	16	GK200D	95.90
225	8	16	GK225D	95.90
250	8	16	GK250D	120.50
280	12	24	GK280D	120.50
315	12	24	GK315D	159.60
355	12	24	GK355D	240.60
400	12	24	GK400D	243.80
450	12	24	GK450D	243.80
500	16	32	GK500D	329.20
560	16	32	GK560D	P.O.A
630	16	32	GK630D	P.O.A
710	16	32	GK710D	P.O.A

MOULDED BENDS AND TEES



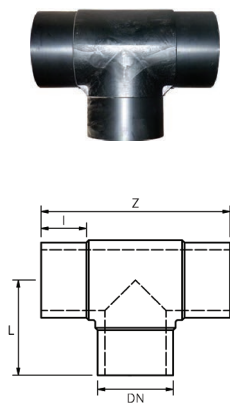
Elbows 45° Moulded - BW & EF

mm	Size		Code		Price	Code		Price
	L1	Z	SDR17			SDR11		
75	80	124	ELB0754517EF		15.20	ELB0754511EF		15.20
90	85	136	ELB0904517EF		18.90	ELB0904511EF		18.90
110	87	145	ELB1104517EF		29.10	ELB1104511EF		29.10
125	87	150	ELB1254517EF		35.30	ELB1254511EF		35.30
160	98	175	ELB1604517EF		60.50	ELB1604511EF		60.50
180	105	183	ELB1804517EF		75.70	ELB1804511EF		75.70
200	110	193	ELB2004517EF		93.40	ELB2004511EF		95.80
225	125	215	ELB2254517EF		151.30	ELB2254511EF		162.80
250	130	232	ELB2504517EF		184.20	ELB2504511EF		220.80
280	140	250	ELB2804517EF		237.10	ELB2804511EF		266.20
315	150	270	ELB3154517EF		545.10	ELB3154511EF		624.60



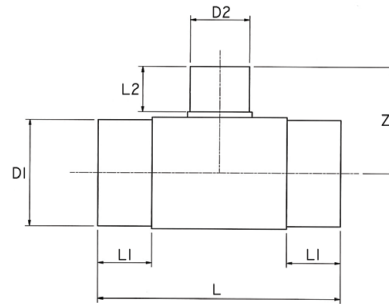
Elbows 90° Moulded - BW & EF

mm	Size		Code		Price	Code		Price
	L1	Z	SDR17			SDR11		
75	75	132	ELB0759017EF		15.20	ELB0759011EF		15.20
90	85	150	ELB0909017EF		18.90	ELB0909011EF		18.90
110	89	163	ELB1109017EF		29.10	ELB1109011EF		29.10
125	90	170	ELB1259017EF		35.30	ELB1259011EF		35.30
160	103	200	ELB1609017EF		60.50	ELB1609011EF		60.50
180	96	210	ELB1809017EF		75.70	ELB1809011EF		75.70
200	104	225	ELB2009017EF		98.50	ELB2009011EF		101.00
225	125	265	ELB2259017EF		151.30	ELB2259011EF		169.10
250	130	290	ELB2509017EF		217.00	ELB2509011EF		229.60
280	140	315	ELB2809017EF		277.60	ELB2809011EF		305.30
315	150	355	ELB3159017EF		421.40	ELB3159011EF		502.10



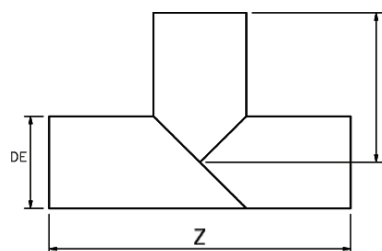
Tees Moulded - Long Spigot

DN	Size			Code		Price	Code		Price
	Z	L	I	SDR17			SDR11		
63	110	220	63	TM06317EF		18.90	TM06311EF		17.80
75	132	264	75	TM07517EF		25.30	TM07511EF		18.90
90	150	300	85	TM09017EF		35.30	TM09011EF		27.80
110	163	326	87	TM11017EF		50.40	TM11011EF		50.40
125	170	341	87	TM12517EF		61.90	TM12511EF		61.90
140	190	380	98	TM14017EF		136.20	TM14011EF		157.80
160	210	400	96	TM16017EF		104.70	TM16011EF		104.70
180	205	410	96	TM18017EF		123.60	TM18011EF		123.60
200	225	450	100	TM20017EF		174.10	TM20011EF		184.20
225	265	530	12	TM22517EF		271.30	TM22511EF		307.90
250	300	600	130	TM25017EF		339.50	TM25011EF		435.30
280	315	632	138	TM28017EF		435.30	TM28011EF		497.20
315	355	710	150	TM31517EF		548.90	TM31511EF		792.30
355*	330	660	110	TM35517EF		1,218.70	TM35511EF		1,626.40



Tees Moulded - Long Spigot

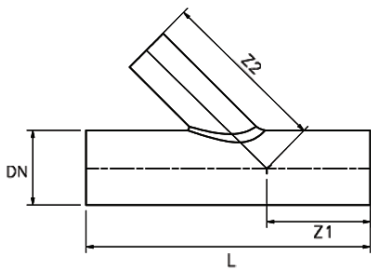
DN	Size			Code	Price	Code	Price
	Z	L	I	SDR17		SDR11	
63	110	220	63	TM06317EF	18.90	TM06311EF	17.80
75	132	264	75	TM07517EF	25.30	TM07511EF	18.90
90	150	300	85	TM09017EF	35.30	TM09011EF	27.80
110	163	326	87	TM11017EF	50.40	TM11011EF	50.40
125	170	341	87	TM12517EF	61.90	TM12511EF	61.90
140	190	380	98	TM14017EF	136.20	TM14011EF	157.80
160	210	400	96	TM16017EF	104.70	TM16011EF	104.70
180	205	410	96	TM18017EF	123.60	TM18011EF	123.60
200	225	450	100	TM20017EF	174.10	TM20011EF	184.20
225	265	530	12	TM22517EF	271.30	TM22511EF	307.90
250	300	600	130	TM25017EF	339.50	TM25011EF	435.30
280	315	632	138	TM28017EF	435.30	TM28011EF	497.20
315	355	710	150	TM31517EF	548.90	TM31511EF	792.30
355*	330	660	110	TM35517EF	1,218.70	TM35511EF	1,626.40



Tees - Fabricated

DE	Size		Code	Price	Code	Price
	Z	L	SDR17		SDR11	
315	760	380	TF31517	1,117.10	TF31511	1,244.90
355	800	400	TF35517	1,237.80	TF35511	1,477.40
400	960	480	TF40017	1,548.70	TF40011	1,925.10
450	1010	505	TF45017	1,830.70	TF45011	2,378.60
500	1060	530	TF50017	2,119.50	TF50011	2,775.10
560	1190	595	TF56017	2,545.40	TF56011	3,151.70
630	1190	595	TF63017	3,922.30	TF63011	5,125.80

JUNCTIONS AND END CAPS



Junctions - 45° Equal Fabricated Long Spigot

DN	Size			Code	Price	Code	Price
	L	Z1	Z2				
110	700	275	425	J1104517	119.60	J1104511	119.60
125	745	290	455	J1254517	139.90	J1254511	157.40
160	840	330	510	J1604517	222.60	J1604511	321.20
200	960	370	590	J2004517	415.50	J2004511	527.80
225	1080	425	655	J2254517	573.60	J2254511	573.60
250	1155	450	705	J2504517	828.80	J2504511	828.80
280	1245	490	755	J2804517	1,065.10	J2804511	1,065.10
315	1340	525	815	J3154517	1,339.80	J3154511	1,339.80
355	1455	575	880	J3554517	1,969.90	J3554511	1,969.90
400	1550	600	950	J4004517	2,070.00	J4004511	2,505.00
450	1625	625	1000	J4504517	2,446.40	J4504511	3,033.60
500	1700	650	1050	J5004517	2,879.10	J5004511	3,636.80
560	1904	728	1176	J5604517	3,890.50	J5604511	4,959.20
630	2147	819	1323	J6304517	5,094.20	J6304511	6,613.90

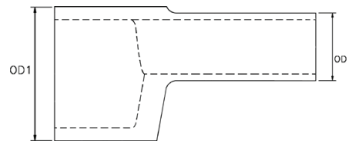


End Caps Domed - Long Spigot*

Size	Code	Price	Code	Price
63	ECD06317	13.90	ECD06311	13.90
75	ECD07517	13.90	ECD07511	13.90
90	ECD09017	16.40	ECD09011	16.40
110	ECD11017	20.20	ECD11011	22.70
125	ECD12517	26.40	ECD12511	29.10
140	ECD14017	60.50	ECD14011	60.50
160	ECD16017	61.90	ECD16011	61.90
180	ECD18017	63.00	ECD18011	63.00
200	ECD20017	66.90	ECD20011	75.70
225	ECD22517	69.50	ECD22511	94.60
250	ECD25017	71.90	ECD25011	112.30
280	ECD28017	79.50	ECD28011	147.60
315	ECD31517	101.00	ECD31511	186.80
355	ECD35517	113.60	ECD35511	397.50
400	ECD40017	166.60	ECD40011	565.20

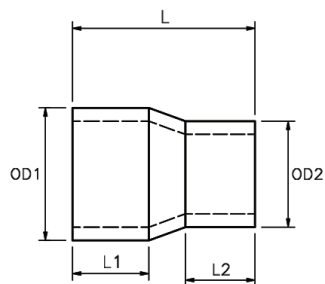
* Long spigot not suitable for electrofusion.

REDUCERS



Reducers Eccentric - Long Spigot

Size		Code	Price	Code	Price
OD1	OD2	SDR17		SDR 11	
90	63	RE09006317EF	32.80	RE09006311EF	62.30
90	75	RE09007517EF	32.80	RE09007511EF	35.30
110	63	RE11006317EF	44.20	RE11006311EF	47.90
110	90	RE11009017EF	44.20	RE11009011EF	47.90
125	63	RE12506317EF	53.00	RE12506311EF	58.00
125	90	RE12509017EF	53.00	RE12509011EF	58.00
125	110	RE12511017EF	53.00	RE12511011EF	124.90
140	125	RE14012517EF	75.70	RE14012511EF	83.20
160	90	RE16009017EF	103.50	RE16009011EF	111.00
160	110	RE16011017EF	103.50	RE16011011EF	111.00
160	125	RE16012517EF	103.50	RE16012511EF	111.00
160	140	RE16014017EF	103.50	RE16014011EF	111.00
180	90	RE18009017EF	132.50	RE18009011EF	143.80
180	125	RE18012517EF	132.50	RE18012511EF	143.80
180	160	RE18016017EF	132.50	RE18016011EF	143.80
200	160	RE20016017EF	145.20	RE20016011EF	157.80
200	180	RE20018017EF	145.20	RE20018011EF	157.80
225	160	RE22516017EF	233.50	RE22516011EF	252.30
225	180	RE22518017EF	233.50	RE22518011EF	252.30
225	200	RE22520017EF	233.50	RE22520011EF	252.30
250	200	RE25020017EF	306.60	RE25020011EF	331.90
250	225	RE25022517EF	306.60	RE25022511EF	331.90

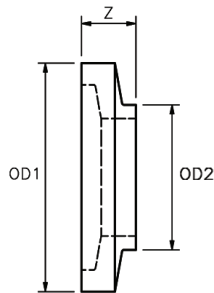


Reducers Concentric - Long Spigot

Size		Code	Price	Code	Price
OD1	OD2	L I1 I2	SDR 17	SDR 11	
75	63	127 61 57	RC07506317EF 13.90	RC07506311EF	13.90
90	63	190 85 75	RC09006317EF 18.90	RC09006311EF	18.90
90	75	145 71 61	RC09007517EF 18.90	RC09007511EF	18.90
110	90	166 83 71	RC11009017EF 25.30	RC11009011EF	25.30
125	63	210 85 85	RC12506317EF 31.60	RC12506311EF	31.60
125	90	182 87 71	RC12509017EF 25.30	RC12509011EF	25.30
125	110	210 105 105	RC12511017EF 27.80	RC12511011EF	27.80
140	125	210 105 105	RC14012517EF 43.00	RC14012511EF	46.60
160	90	320 105 105	RC16009017EF 58.00	RC16009011EF	58.00
160	110	320 115 105	RC16011017EF 50.40	RC16011011EF	53.00
160	125	320 115 105	RC16012517EF 50.40	RC16012511EF	53.00
200	160	360 120 105	RC20016017EF 85.80	RC20016011EF	87.00

REDUCERS

REDUCERS



Reducers Concentric - Short Spigot

Size		Code	Price	Code	Price
OD1	OD2	SDR17		SDR11	
180	125	RC18012517	58.00	RC18012511	60.50
180	160	RC18016017	73.20	RC18016011	73.20
200	110	RC20011017	50.40	RC20011011	50.40
200	140	RC20014017	151.30	RC20014011	157.80
200	160	RC20016017	85.80	RC20016011	87.00
200	180	RC20018017	54.30	RC20018011	89.60
225	140	RC22514017	183.00	RC22514011	191.80
225	160	RC22516017	128.80	RC22516011	143.80
225	180	RC22518017	136.20	RC22518011	143.80
225	200	RC22520017	75.70	RC22520011	75.70
250	160	RC25016017	79.50	RC25016011	79.50
250	200	RC25020017	82.10	RC25020011	82.10
250	225	RC25022517	79.50	RC25022511	79.50
280	200	RC28020017	233.50	RC28020011	242.30
280	225	RC28022517	217.00	RC28022511	219.60
280	250	RC28025017	319.70	RC28025011	220.80
315	200	RC31520017	343.20	RC31520011	360.80
315	225	RC31522517	305.30	RC31522511	277.60
315	250	RC31525017	199.40	RC31525011	355.90
315	280	RC31528017	224.50	RC31528011	295.40
355	200	RC35520017	176.60	RC35520011	P.O.A
355	250	RC35525017	176.60	RC35525011	355.90
355	280	RC35528017	165.30	RC35528011	275.10
355	315	RC35531517	169.10	RC35531511	384.90
400	200	RC40020017	191.80	RC40020011	P.O.A
400	250	RC40025017	191.80	RC40025011	P.O.A
400	280	RC40028017	P.O.A	RC40028011	P.O.A
400	315	RC40031517	180.40	RC40031511	374.70
400	355	RC40035517	246.10	RC40035511	386.00
450	200	RC45020017	233.50	RC45020011	P.O.A
450	250	RC45025017	241.00	RC45025011	P.O.A
450	315	RC45031517	241.00	RC45031511	981.60
450	355	RC45035517	981.10	RC45035511	P.O.A
450	400	RC45040017	812.60	RC45040011	981.60
500	315	RC50031517	1,254.90	RC50031511	890.80
500	355	RC50035517	407.60	RC50035511	1,276.90
500	400	RC50040017	422.80	RC50040011	561.60
500	450	RC50045017	469.50	RC50045011	518.50
560	400	RC56040017	469.50	RC56040011	662.50
560	450	RC56045017	469.50	RC56045011	789.80
630	400	RC63040017	1,562.60	RC63040011	P.O.A
630	450	RC63045017	561.60	RC63045011	1,394.20

BACKING RINGS



Backing Rings - Table D Galvanised Steel

Poly pipe OD	Size		Code	Price
	Flange Size	THK		
63	50	10	BR063D2	12.60
75	65	10	BR075D2	13.90
90	80	10	BR090DE	P.O.A
110	100	10	BR110D2	26.40
125	125	13	BR125D2	39.10
140	125	13	BR140D2	34.10
160	150	13	BR160D2	39.10
180	150	13	BR180D2	34.10
200	200	13	BR200D2	49.20
225	200 (8")	13	BR225D2	47.90
250	250	16	BR250D2	92.10
280	250	16	BR280D2	89.60
315	300	19	BR315D2	126.30
355	350	22	BR355DE	P.O.A
400	400	22	BR400D2	198.10
450	450	25	BR450D2	284.00
500	500	29	BR500D2	367.20
560	550	32	BR560D2	329.30
630	600	32	BR630D2	502.10
710	700	35	BR710D2	586.70
800	800	38	BR800D2	1,029.50
1000	1000	51	BR1000D2	1,493.90

Backing Rings - Table E Galvanised Steel

Poly pipe OD	Size		Code	Price
	Flange Size	THK		
63	50	10	BR063E2	12.60
75	65	10	BR075E2	13.90
90	80	12	BR090DE	P.O.A
110	100	13	BR110E2	26.40
125	125	13	BR125E2	40.40
140	125	14	BR140E2	35.30
160	150	17	BR160E2	47.90
180	150	17	BR180E2	44.20
200	200	19	BR200E2	64.40
225	200 (8")	19	BR225E2	61.90
250	250	22	BR250E2	104.70
280	250	22	BR280E2	99.60
315	300	25	BR315E2	133.70
355	350	29	BR355E2	237.10
400	400	32	BR400E2	287.70
450	450	35	BR450E2	391.10
500	500	38	BR500E2	481.90
560	550	44	BR560E2	593.00
630	600	48	BR630E2	743.10
710	700	51	BR710E2	827.70
800	800	54	BR800E2	1,348.80
900	900	64	BR900E2	1,868.60
1000	1000	67	BR1000E2	1,916.50

BACKING RINGS



Backing Rings - ANSI Galvanised Steel

Poly pipe OD	Size		Code	Price
	Flange Size	THK		
63	50	10	BR063AA105	28.70
75	65	10	BR075A	32.80
90	80	11	BR090AA105	163.20
110	100	13	BR110A	53.00
125	125	14	BR125A	65.60
140	125	14	BR140A	84.60
160	150	17	BR160A	106.10
180	150	17	BR180AA105	54.60
200	200	19	BR200AA105	319.20
225	200 (8")	19	BR225A	P.O.A
250	250	22	BR250A	145.20
280	250	22	BR280A	133.70
315	300	25	BR315A	222.00
355	350	29	BR355A	305.30
400	400	32	BR400A	389.80
450	450	32	BR450AA105	407.60
500	500	43	BR500A	463.00
560	550	48	BR560A	599.40
630	600	50	BR630A	642.20
710	700	50	BR710A	P.O.A
800	800	60	BR800A	P.O.A

Blank Flange - Galvanised Steel

Poly pipe OD	Size Flange	Code Table D	Price	Code Table E	Price
63	2"	BF063DE	25.80	BF063DE	25.80
75	2.5"	BF075DE	25.80	BF075DE	25.80
90	3"	BF090E	27.10	BF090E	27.10
110	4"	BF110D	42.30	BF110E	42.30
125	5"	BF125D	65.60	BF125E	65.60
160	6"	BF160D	94.80	BF160E	94.80
200	8"	BF225D	125.10	BF225E	145.20
250	10"	BF280D	181.40	BF280E	242.50
315	12"	BF315D	282.90	BF315E	368.30
355	14"	BF355D	434.60	BF355E	713.30
400	16"	BF400D	533.10	BF400E	765.80
450	18"	BF450D	P.O.A	BF450E	P.O.A
500	20"	BF500D	P.O.A	BF500E	P.O.A
630	24"	BF630D	P.O.A	BF630E	P.O.A
710	28"	BF710D	P.O.A	BF710E	P.O.A
800	32"	BF800D	P.O.A	BF800E	P.O.A
1000	40"	BF1000D	P.O.A	BF1000E	P.O.A

BACKING RINGS



Backing Rings - Table D 316 Stainless Steel

Size		Code	Price
Poly Pipe OD	Flange Size		
63	2"	BRS063D	44.20
75	2 1/2"	BRS075D	50.40
90	3"	BRS090E	60.50
110	4"	BRS110D	95.80
125	5"	BRS125D	143.80
140	5"	BRS140D	126.30
160	6"	BRS160D	148.80
180	6"	BRS180D	127.40
200	8"	BRS200D	183.00
225	8"	BRS225D	177.90
250	10"	BRS250D	378.60
280	10"	BRS280D	365.90
315	12"	BRS315D	516.00
355	14"	BRS355D	716.70
400	15"	BRS400D	813.90
450	16"	BRS450D	1,164.60
500	18"	BRS500D	1,512.70
560	20"	BRS560D	1,356.40
630	24"	BRS630D	2,065.30
710	28"	BRS710D	2,370.70
800	32"	BRS800D	4,326.40
1000	40"	BRS1000D	6,138.20

Backing Rings - Table E 316 Stainless Steel

Size		Code	Price
Poly Pipe OD	Flange Size		
63	2"	BRS063E	50.40
75	2 1/2"	BRS075E	50.40
90	3"	BRS090E	60.50
110	4"	BRS110E	95.80
125	5"	BRS125E	155.30
140	5"	BRS140E	136.20
160	6"	BRS160E	187.90
180	6"	BRS180E	172.80
200	8"	BRS200E	261.10
225	8"	BRS225E	253.70
250	10"	BRS250E	427.80
280	10"	BRS280E	407.60
315	12"	BRS315E	546.30
355	14"	BRS355E	976.60
400	15"	BRS400E	1,183.40
450	16"	BRS450E	1,606.20
500	18"	BRS500E	1,980.90
560	20"	BRS560E	2,441.50
630	24"	BRS630E	3,060.80
710	28"	BRS710E	3,404.00
800	32"	BRS800E	5,909.90
1000	40"	BRS1000E	7,965.20



Rodney Industries

A Division of Vinidex Pty Limited

BUILT FOR STRENGTH, BUILT FOR QUALITY, BUILT TO LAST

We pride ourselves in our continued manufacture and supply of quality products and services.

Why choose Rodney Industries' Irrigation Fittings?

We understand the importance of quality and value for money. Take for example our hose joiner:

- Heavier wall thickness for strength and durability.
- Chamfered for easy installation and hose protection.
- Smooth tapered spigot to reduce rusting and cutting inside irrigation hose.
- Hot dipped galvanized for longer lifespan.





IRRIGATION FITTINGS

For range and quality, choose Rodney Industries' fittings.

We offer a large selection of Irrigation fittings including:

- Hose Joiners
- Bauer Style Fittings
- Weld Bells
- Mainline Adaptors

IRRIGATION FITTINGS



Plain to Half Joinder

Inch	Code	Price
3" x 3½"	10004	148.80
4" x 3"	10989	150.50
4" x 3½"	9899	164.70
4" x 4"	10012	168.70
4" x 5"	10024	221.00
5" x 3½"	9987	221.00
5" x 4"	9988	224.70
5" x 4½"	9989	272.60
5" x 5"	10999	275.70
5" x 6"	10025	292.30
6" x 4"	10023	242.90
6" x 5"	9900	278.00
6" x 6"	10998	300.80

Threaded to Half Joinder

Inch	Code	Price
2½" x 2½"	9927	148.90
2" x 3"	9929	147.60
2½" x 3"	9930	148.90
3" x 2½"	9926	155.60
3" x 3"	9931	155.60
2½" x 3½"	9932	163.50
3" x 3½"	9933	169.90
2½" x 4"	9934	167.00
3" x 4"	9935	172.80
4" x 3½"	9937	175.90
4" x 4"	9936	180.80
4" x 4½"	9938	229.20
4" x 6"	9939	289.20



Flange to Half Joinder

Inch	Code	Price
2" x 2½"	9944	148.80
2½" x 3"	9946	164.70
3" x 3"	9947	168.70
4" x 2½"	10033	166.30
4" x 3"	9948	171.80
3" x 3½"	9949	181.60
4" x 3½"	9950	195.10
5" x 3½"	9951	208.00
6" x 3½"	9952	218.10
3" x 4"	9953	187.60
4" x 4"	9964	226.40

Flange to Half Joinder

Inch	Code	Price
4" x 5"	9961	230.20
5" x 4"	9954	209.70
6" x 4"	9955	224.70
4" x 4½"	9956	209.70
5" x 4½"	9957	264.30
6" x 4½"	9958	271.00
5" x 5"	10007	237.60
5" x 6"	10008	262.80
6" x 5"	9960	272.60
6" x 6"	9962	278.00

IRRIGATION FITTINGS



Hose Joiner

Inch	Code	Price
2"	9980	75.30
2½"	9981	76.60
3"	9982	78.30
3½"	9983	93.50
4"	9984	101.80
4½"	9985	175.60
5"	10005	191.50
6"	10006	227.90



Hose Joiner Reducing

Inch	Code	Price
2 ½" x 3"	10031	140.40
3" x 3½"	10003	163.40
3" x 4"	9986	166.30
3½" x 4"	9978	186.10
4" x 4½"	9979	192.80



Coupler Joiner

Inch	Code	Price
3" x 3"	9973	360.80
4" x 3"	9974	481.50
4" x 4"	9975	394.30



Ring Type Coupler - (Hosetail x Coupler)

Inch	Code	Price
2½" x 3"	9990	164.70
2 ½" x 4"	9996	170.10
3" x 3"	9991	168.70
3 ½" x 3"	10002	206.50
3" x 4"	9992	201.10
3 ½" x 4"	9997	223.10
3 ½" x 5"	10014	267.40
4" x 4"	9998	196.70
4" x 5"	10015	271.00
4 ½" x 4"	9999	264.30
4" x 3"	10000	214.20
4 ½" x 5"	10001	317.60
5" x 4"	10010	292.30
5" x 5"	10018	347.00
6" x 6"	10016	362.20



Standard Coupler (Hosetail x Coupler)

Inch	Code	Price
3" x 4"	10009	450.30
3½" x 4"	9993	392.60
4" x 4"	9994	408.50
4½" x 4"	9995	453.30

IRRIGATION FITTINGS

IRRIGATION FITTINGS



Flange to Bell

Inch	Code	Price
2½" x 3"	9959	224.70
3" x 3"	9965	227.90
4" x 3"	9969	264.30
3" x 4"	9968	278.00
4" x 4"	9963	286.30
5" x 4"	9967	303.80
5" x 5"	10019	269.70
6" x 4"	9966	317.60
6" x 6"	10017	336.40
6" x 8"	10020	414.80
8" x 8"	10021	372.30

Mainline Adaptor (Bell x Spigot)

Inch	Code	Price
3" x 3"	9970	251.40
3" x 4"	9971	271.00
3" x 5"	10011	283.20
4" x 4"	9972	289.20
4" x 5"	9976	299.30
4" x 6"	10032	306.20
5" x 5"	10022	307.50



Flange to Bell No Lugs \ Links

Inch	Code	Price
3" x 3"	9965HAB	POA
4" x 4"	9963HA	186.10
5" x 5"	10019HA	242.90
6" x 6"	10017HA	278.00
8" x 8"	10021HA	294.00

Flange to Male Spigot

Inch	Code	Price
3" x 3"	9965MSA	242.90
4" x 4"	9963MSA	249.00
5" x 5"	10019MSA	319.00
6" x 6"	10017MSA	348.60
8" x 8"	10021MSA	514.80

IRRIGATION FITTINGS



Weld Bells c/w Lugs and Links (Black)

Inch	mm	Code	Price
3"	80	9922	145.10
4"	100	9923	128.30
5"	125	9294	168.70
6"	150	9295	198.20
8"	200	9315	206.50



Weld Bells c/w Lugs and Links (Galvanized)

Inch	mm	Code	Price
3"	80	9920	151.90
4"	100	9921	156.50
5"	125	9290	178.50
6"	150	9291	209.70
8"	200	9313	224.70



Weld Bells w/o Lugs and Links (Black)

Inch	mm	Code	Price
3"	80	9297	65.30
4"	100	9298	83.70
5"	125	9299	98.80
6"	150	9300	122.30
8"	200	9317	169.40



Thread to Weld Bells c/w Lugs and Links (Galvanized)

Inch	mm	Code	Price
4" x 4"	100 x 100	10026	345.50
5" x 5"	125 x 125	10027	364.50
4" x 5"	100 x 125	10028	356.90

*Note: All Weld Bells supplied with round-back gaskets

IRRIGATION FITTINGS



Weld Bell Clamps (Travis Clamps)

Inch	mm	Code	Price
4"	100	9304	72.80
5"	125	9305	74.60
6"	150	9306	91.10
8"	200	9321	98.80



Round Back Gaskets

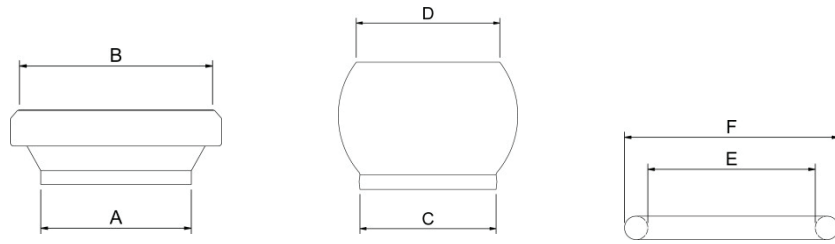
Inch	mm	Code	Price
3"	80	9924	7.70
4"	100	9925	10.70
5"	125	9310	15.90
6"	150	9312	20.50
8"	200	9319	23.60



Joiner Ring Only

Inch	Code	Price
2"	9901	21.90
2½"	9902	21.90
3"	9903	23.60
3½"	9904	25.20
4"	9905	26.60
4½"	9906	29.60
5"	9908	31.20

IRRIGATION FITTINGS



inches	Size mm	Female Coupling		Male Coupling		Rubber Seal	
		A	B	C	D	E	F
2	50	48.5	72	50	48.5	62	80.6
3	76	76	98	81	76	88.5	114.5
3.5	89	89	121	93	89	108	134
4	108	108	147	112	108	132	162
5	133	132	163	137	132	152	188
6	159	158	182	155	158	170	208
8	194	194	231	200	194	220	258



Black Steel Coupling Complete With Rubber Seal

Inch	mm	Code	Price
2	50	12000	48.30
3	76	12002	65.40
3.5	89	12004	94.10
4	108	12006	111.40
5	133	12008	157.20
6	159	12010	190.60

Black Steel Male Coupling

Inch	mm	Code	Price
2	50	12014	11.00
3	76	12016	11.00
3.5	89	12018	18.00
4	108	12020	22.50
5	133	12022	25.70
6	159	12024	36.70
8	194	12026	65.40

IRRIGATION FITTINGS



Galvanized Steel Lever Ring

Inch	mm	Code	Price
2	50	12028	36.70
3	76	12030	52.90
3.5	89	12032	72.40
4	108	12034	89.50
5	133	12036	140.10
6	159	12038	179.90
8	194	12040	279.40



Black Steel Female Coupling With Rubber Seal

Inch	mm	Code	Price
2	50	12042	18.00
3	76	12044	18.00
3.5	89	12046	25.70
4	108	12048	33.50
5	133	12050	46.70
6	159	12052	62.20
8	194	12054	77.10



Rubber O'Ring Seal

Inch	mm	Code	Price
2	50	12056	6.10
3	76	12058	6.10
3.5	89	12060	9.40
4	108	12062	11.00
5	133	12064	14.80
6	159	12066	18.00
8	194	12068	21.10



Galvanized Steel Male End Plug With Lever Ring

Inch	mm	Code	Price
2	50	12084	80.30
3	76	12086	131.40
3.5	89	12088	157.20
4	108	12090	160.40
5	133	12092	235.90
6	159	12094	396.10
8	194	12096	488.80



Galvanized Steel Female Coupling With Hose Tail & Rubber Seal - (Bauer X Tail)

Inch	mm	Code	Price
2	50 x 50	12098	43.60
3	76 x 76	12102	49.80
3.5	89 x 76	12104	65.40
4	108 x 100	12108	85.70
5	133 x 125	12112	118.20
6	159 x 150	12114	143.90
8	194 x 200	12118	272.50



Galvanized Steel Male Coupling With Hose Tail & Lever Ring - (Bauer X Tail)

Inch	mm	Code	Price
2	50 x 50	12120	65.40
3	76 x 76	12124	119.90
3.5	89 x 89	12128	130.10
4	108 x 100	12130	160.40
5	133 x 125	12134	240.40
6	159 x 150	12136	305.10
8	194 x 200	12140	485.70

IRRIGATION FITTINGS



Galvanized Steel Female Coupling Threaded BSPM With Rubber Seal – (Bauer X BSPM)

mm x Inch	Code	Price
50 mm x 2"	12144	99.50
76 mm x 3"	12148	148.70
89 mm x 3"	12150	158.70
108 mm x 4"	12152	130.10
133 mm x 5"	12154	214.90
159 mm x 6"	12156	257.60
194 mm x 8"	12158	288.80



Galvanized Steel Female End Plug With Rubber Seal

Inch	mm	Code	Price
2	50	12070	72.40
3	76	12072	75.40
3.5	89	12074	85.70
4	108	12076	89.50
5	133	12078	101.20
6	159	12080	105.90
8	194	12082	152.60



Galvanized Steel Flanged Female Coupling With Rubber Seal – (Flange X Bauer)

Inch	mm	Code	Price
2	50 x 50	12180	179.90
3	80 x 89	12182	187.60
4	100 x 108	12184	218.00
5	125 x 133	12186	246.70
6	150 x 159	12188	290.40
8	200 x 194	12190	357.30



Galvanized Steel Flanged Male Coupling With Lever Ring – (Flange X Bauer)

Inch	mm	Code	Price
2	50 x 50	12194	239.00
3	80 x 89	12196	255.30
4	100 x 108	12198	281.00
5	125 x 133	12200	340.10
6	150 x 159	12202	417.20
8	200 x 194	12204	739.50



Galvanized Steel Male Coupling Threaded BSPM With Lever Ring – (Bauer X BSPM)

mm x Inch	Code	Price
50 mm x 2"	12162	85.70
76 mm x 3"	12166	179.90
89 mm x 3"	12168	196.10
108 mm x 4"	12170	230.40
133 mm x 5"	12172	315.20
159 mm x 6"	12174	365.90
194 mm x 8"	12176	612.70



Rodney Industries

Phone: 07 3624 0300
Email: sales@rodneyind.com.au
Web: www.rodneyind.com.au